

Blue Thursday August 1, 2024

Board 1
North Deals
None Vul

♠ A K 6			
♥ A 10 9 8 5 3			
♦ —			
♣ A 8 6 4			
♠ Q J 10 3			♠ 8 7 5 2
♥ Q			♥ J 7 2
♦ Q 9 5 2			♦ K J 7
♣ Q J 9 7			♣ 5 3 2
♠ 9 4			
♥ K 6 4			
♦ A 10 8 6 4 3			
♣ K 10			

NS 6♥; NS 5N; NS 4♦; NS 4♣; NS 2♠; Par +980; NS 6♥=

Blue Thursday August 1, 2024

Board 2
East Deals
N-S Vul

	♠ K 2	
	♥ A K Q J 10 4	
	♦ 8 6	
	♣ 10 6 4	
♠ 10 3		♠ A 9 8
♥ 5 2		♥ 9 6 3
♦ K J 3		♦ 9 7 4 2
♣ Q J 9 5 3 2		♣ A 8 7
	♠ Q J 7 6 5 4	
	♥ 8 7	
	♦ A Q 10 5	
	♣ K	

NS 3♠; NS 3♥; EW 2♣; NS 1♦; Par +140: NS 3♥=; NS 3♠=

Blue Thursday August 1, 2024

Board 3
South Deals
E-W Vul

	♠ 9 5		
	♥ A Q 10 9 8		
	♦ 8 5		
	♣ 10 8 6 3		
♠ A 8		♠ 10 7 6 2	
♥ J 7 5 2		♥ 6 3	
♦ 9 3 2		♦ K J 10 6	
♣ J 7 5 2		♣ K Q 9	
	♠ K Q J 4 3		
	♥ K 4		
	♦ A Q 7 4		
	♣ A 4		

NS 5♥; NS 4N; NS 4♠; NS 3♣; NS 2♦; Par +450: NS 4♥+1

Blue Thursday August 1, 2024

Board 4
West Deals
Both Vul

	♠ K J 10 4		
	♥ A J 8 3 2		
	♦ 10 6		
	♣ J 8		
♠ Q 7 6 5 3 2		♠ 9 8	
♥ 5 4		♥ K 7	
♦ J 7		♦ A K 5 4 3 2	
♣ A 6 4		♣ 10 9 7	
	♠ A		
	♥ Q 10 9 6		
	♦ Q 9 8		
	♣ K Q 5 3 2		

NS 3♥; NS 1N; NS 2♣; NS 1♠; EW 1♦; Par +140: NS 1♥+2

Blue Thursday August 1, 2024

Board 7
South Deals
Both Vul


	♠ K 9 8	
	♥ A 8 6 5 4 2	
	♦ 9	
	♣ K 9 6	
♠ A Q J 10 6		♠ 7
♥ J		♥ Q 9 7
♦ A Q 8		♦ J 7 6 3 2
♣ J 5 3 2		♣ Q 8 7 4
	♠ 5 4 3 2	
	♥ K 10 3	
	♦ K 10 5 4	
	♣ A 10	

NS 3N; NS 2♥; EW 3♣; EW 2♦; Par +200: EW 4♣×-1

Blue Thursday August 1, 2024

Board 8
West Deals
None Vul

	♠ Q 10 7 4		
	♥ Q J 3		
	♦ A 10		
	♣ Q 7 6 5		
♠ A K 9 8 6		♠ 5	
♥ 9 8		♥ K 6 4 2	
♦ K Q 9 7		♦ 6 4 3	
♣ 10 4		♣ A K J 9 3	
	♠ J 3 2		
	♥ A 10 7 5		
	♦ J 8 5 2		
	♣ 8 2		



EW 2N; EW 2♦; EW 2♣; EW 1♠; EW 1♥; Par -120; EW 1N+1

Blue Thursday August 1, 2024

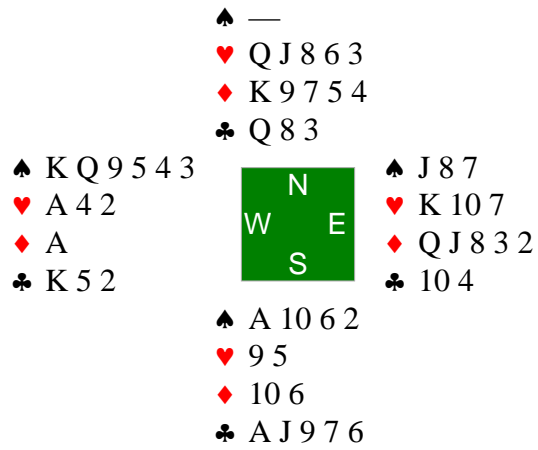
Board 9
North Deals
E-W Vul

	♠ 8		
	♥ J 10 8 2		
	♦ A 7 5 4 3		
	♣ 10 7 4		
♠ A 6		♠ 10 3 2	
♥ Q 4 3		♥ A K 7 6 5	
♦ Q J 9 8 6 2		♦ K	
♣ A Q		♣ J 8 6 3	
	♠ K Q J 9 7 5 4		
	♥ 9		
	♦ 10		
	♣ K 9 5 2		

EW 5N; EW 4♥; EW 5♦; NS 2♠; EW 2♣; Par -660: EW 5N=

Blue Thursday August 1, 2024

Board 11
South Deals
None Vul



EW 4♠; EW 2N; EW 1♥; EW 1♦; S 1♣; Par -420; EW 4♠=

Blue Thursday August 1, 2024

Board 12
West Deals
N-S Vul

	♠ 9 7 6		
	♥ 7 6 4 3		
	♦ J 6 4		
	♣ 9 4 2		
♠ K Q		♠ 8 5 3 2	
♥ A 10 8		♥ Q J 5 2	
♦ K 8 5 3		♦ 7	
♣ A J 10 7		♣ K 8 5 3	
	♠ A J 10 4		
	♥ K 9		
	♦ A Q 10 9 2		
	♣ Q 6		

EW 4♥; EW 3N; EW 5♣; EW 2♠; EW 1♦; Par -420: EW 4♥=

Blue Thursday August 1, 2024

Board 13
North Deals
Both Vul

	♠ A 2	
	♥ K 10 2	
	♦ Q 10 7 3 2	
	♣ K 6 5	
♠ J 9 3		♠ Q 7 6 5 4
♥ A 8 7 4 3		♥ Q
♦ J		♦ A 9
♣ J 9 7 2		♣ Q 10 8 4 3
	♠ K 10 8	
	♥ J 9 6 5	
	♦ K 8 6 5 4	
	♣ A	

NS 3♥; NS 4♦; NS 2N; EW 2♠; EW 2♣; Par +140: NS 3♥=

Blue Thursday August 1, 2024

Board 15
South Deals
N-S Vul

♠ J 10 6			
♥ K 7 3			
♦ Q J 10 8 5			
♣ 10 9			
♠ K 8 3			♠ A Q 7 4 2
♥ A Q 10 9 8 6			♥ J
♦ A			♦ 4 3
♣ A K 7			♣ Q J 8 5 2
♠ 9 5			
♥ 5 4 2			
♦ K 9 7 6 2			
♣ 6 4 3			

EW 7♠; EW 7♣; EW 6N; EW 6♥; EW 2♦; Par -1510; EW 7♠=

Blue Thursday August 1, 2024

Board 16
West Deals
E-W Vul

	♠ K 8 2		
	♥ K J 7 6 3		
	♦ 5		
	♣ Q 10 7 4		
♠ 10 7 5 3		♠ A 6	
♥ 5		♥ A Q 10 4	
♦ A Q 9 4 3		♦ J 10 8 7	
♣ 9 5 2		♣ A 8 6	
	♠ Q J 9 4		
	♥ 9 8 2		
	♦ K 6 2		
	♣ K J 3		

EW 3N; EW 5♦; EW 2♣; EW 1♠; EW 1♥;
Par -600: EW 3N=; EW 5♦=

Blue Thursday August 1, 2024


Board 17
North Deals
None Vul

	♠ Q 8 5		
	♥ A Q J 5 3 2		
	♦ 7 2		
	♣ 7 2		
♠ A 7 3		♠ K J 10 4 2	
♥ 9 6		♥ K 10 4	
♦ A 10 6 5		♦ K Q 4	
♣ A 10 8 5		♣ 4 3	
	♠ 9 6		
	♥ 8 7		
	♦ J 9 8 3		
	♣ K Q J 9 6		

EW 5N; EW 5♠; EW 5♦; EW 3♣; EW 1♥; Par -460; EW 3N+2

Blue Thursday August 1, 2024

Board 18
East Deals
N-S Vul

♠ 7 5		♠ A 10 6 4
♥ 9 7 4 2		♥ —
♦ A 7 4		♦ K 10 9 3 2
♣ Q J 6 4		♣ 9 8 3 2
♠ Q J 8 3		
♥ A K 5 3		
♦ 8 5		
♣ 10 7 5		
		
♠ K 9 2		
♥ Q J 10 8 6		
♦ Q J 6		
♣ A K		

N 3♥; EW 2♠; S 2♥; NS 1N; N 1♦; N 1♣; Par +100; EW 3♠×-1

Blue Thursday August 1, 2024

Board 20
West Deals
Both Vul

♠ —		♠ K Q 7 3
♥ K 10 9 3		♥ A Q 6
♦ A Q 4 3		♦ J 7 5
♣ Q 10 7 4 2		♣ J 8 5
		♠ A 9 8 4 2
		♥ J 4
		♦ 10 8 6 2
		♣ 9 6

♠ J 10 6 5
♥ 8 7 5 2
♦ K 9
♣ A K 3

♠ —
♥ K 10 9 3
♦ A Q 4 3
♣ Q 10 7 4 2

♠ K Q 7 3
♥ A Q 6
♦ J 7 5
♣ J 8 5

♠ A 9 8 4 2
♥ J 4
♦ 10 8 6 2
♣ 9 6

EW 4♣; NS 2♠; EW 2♥; EW 2♦; Par -130; EW 3♣+1

Blue Thursday August 1, 2024

Board 21
North Deals
N-S Vul

	♠ 5	
	♥ A 8 4	
	♦ J 10 9 7 4	
	♣ K 9 7 6	
♠ K J 6 4		♠ Q 10 8 7
♥ K 3 2		♥ Q 6 5
♦ K 8 6		♦ A 5 2
♣ A 5 2		♣ J 4 3
	♠ A 9 3 2	
	♥ J 10 9 7	
	♦ Q 3	
	♣ Q 10 8	

NS 3♦; EW 1N; NS 2♣; EW 1♠; NS 1♥; Par +110: NS 3♦=

Blue Thursday August 1, 2024

Board 22
East Deals
E-W Vul

♠ 10 9 5 2
♥ 10 9 8 7 4
♦ 7 5
♣ 9 8

♠ J 8 4
♥ A J 5
♦ A 9 6
♣ A K 7 3



♠ K
♥ 3 2
♦ Q J 8 4 3 2
♣ J 10 4 2

♠ A Q 7 6 3
♥ K Q 6
♦ K 10
♣ Q 6 5

EW 5♦; EW 5♣; EW 2N; S 1♠; Par -600: EW 5♣=; EW 5♦=

Blue Thursday August 1, 2024

Board 23
South Deals
Both Vul

♠ 9 3		
♥ A Q 10 2		
♦ A Q 7 3		
♣ 10 5 4		
♠ Q J 7 6		♠ 10 5 2
♥ 9 8 5		♥ K J 6 4 3
♦ 10 8 5 4		♦ J 2
♣ Q 3		♣ J 7 2
♠ A K 8 4		
♥ 7		
♦ K 9 6		
♣ A K 9 8 6		

NS 6♣; N 5N; S 4N; N 4♠; NS 5♦; S 3♠; N 3♥; S 2♥;
Par +1370: NS 6♣=

Blue Thursday August 1, 2024

Board 27
South Deals
None Vul

	♠ Q										
	♥ A 10 6 4 3										
	♦ 2										
	♣ K 10 9 5 3 2										
♠ J 9 5 4 3	<table border="1"><tr><td></td><td>N</td><td></td></tr><tr><td>W</td><td></td><td>E</td></tr><tr><td></td><td>S</td><td></td></tr></table>		N		W		E		S		♠ K 10 8 7 6 2
	N										
W		E									
	S										
♥ 8 5 2		♥ K Q									
♦ Q 9 6		♦ A 8 3									
♣ A 4		♣ Q 8									
	♠ A										
	♥ J 9 7										
	♦ K J 10 7 5 4										
	♣ J 7 6										

NS 4♥; EW 3♠; NS 4♣; W 1N; NS 2♦; Par +100; EW 4♠×-1

Blue Thursday August 1, 2024

Board 28
West Deals
N-S Vul

♠ K 7 6 3 2		♠ 9 4									
♥ 8 2		♥ Q 10 4									
♦ A J 5 3		♦ K Q 4									
♣ J 6		♣ A 10 7 5 3									
	<table><tr><td></td><td>N</td><td></td></tr><tr><td>W</td><td></td><td>E</td></tr><tr><td></td><td>S</td><td></td></tr></table>		N		W		E		S		
	N										
W		E									
	S										
		♠ J 5									
		♥ A J 7 6 3									
		♦ 6 2									
		♣ Q 9 8 4									
		♠ A Q 10 8									
		♥ K 9 5									
		♦ 10 9 8 7									
		♣ K 2									

NS 3N; NS 2♠; NS 3♦; NS 2♣; NS 1♥; Par +600; NS 3N=

Blue Thursday August 1, 2024

Board 30
East Deals
None Vul

	♠ K 9 8		
	♥ K 9 5		
	♦ J 8 2		
	♣ K 8 5 2		
♠ 10 7 4		♠ Q J 6 5	
♥ 6		♥ A Q J 7 4	
♦ A 7 6		♦ K 5 3	
♣ A Q J 7 4 3		♣ 9	
	♠ A 3 2		
	♥ 10 8 3 2		
	♦ Q 10 9 4		
	♣ 10 6		

EW 4♠; EW 3♥; EW 2N; EW 3♣; EW 2♦; Par -420; EW 4♠=

Blue Thursday August 1, 2024

Board 31
South Deals
N-S Vul

♠ Q J 5 3 2

♥ 10 6 2

♦ K 9 7 6

♣ 6

♠ 8

♥ A Q 7

♦ Q 8 4 3 2

♣ 10 8 5 3



♠ A K 10 9 4

♥ J 5 4 3

♦ —

♣ Q J 9 4

♠ 7 6

♥ K 9 8

♦ A J 10 5

♣ A K 7 2

E 2♥; NS 1N; S 2♦; EW 1♠; W 1♥; N 1♦; EW 1♣; Par -110; E 2♥=

Blue Thursday August 1, 2024


Board 33
North Deals
None Vul

	♠ J 10	
	♥ A 10 9 8 7 2	
	♦ 6	
	♣ K 8 6 5	
♠ A 9 8 5 4 3		♠ K Q 7 2
♥ 5		♥ J 6 4
♦ K 10 5 2		♦ J 9 3
♣ Q 7		♣ J 10 2
	♠ 6	
	♥ K Q 3	
	♦ A Q 8 7 4	
	♣ A 9 4 3	

NS 5♥; NS 5♣; NS 1N; EW 1♠; NS 1♦; Par +450: NS 4♥+1

Blue Thursday August 1, 2024

Board 34
East Deals
N-S Vul

	♠ 10 7	
	♥ A Q J 6	
	♦ 9 6	
	♣ K J 7 6 5	
♠ A Q 4		♠ K J 9 8 2
♥ 10 9 5 2		♥ 7 4
♦ 8 7		♦ K Q 5 2
♣ 9 8 4 2		♣ A Q
	♠ 6 5 3	
	♥ K 8 3	
	♦ A J 10 4 3	
	♣ 10 3	

EW 3♠; EW 2N; NS 2♣; NS 1♥; Par -140: EW 2♠+1

Blue Thursday August 1, 2024

Board 35
South Deals
E-W Vul


♠ A K 10 8			
♥ A 10 9 6			
♦ A 8			
♣ A J 7			
♠ Q 4 3 2			♠ J 9 7 6
♥ 7			♥ 8 5 4 3 2
♦ Q 10 4 3			♦ K 5
♣ K 8 4 2			♣ Q 10
♠ 5			
♥ K Q J			
♦ J 9 7 6 2			
♣ 9 6 5 3			

Diagram: A green square with 'N' at the top, 'S' at the bottom, 'W' on the left, and 'E' on the right.

NS 4♥; NS 3N; N 3♦; NS 3♣; S 2♦; NS 1♠; Par +420: NS 4♥=

Blue Thursday August 1, 2024

Board 36
West Deals
Both Vul

♠ A 10 4		♠ J 7 5
♥ Q		♥ 5 4
♦ A Q 4 3		♦ J 9 2
♣ Q J 9 7 3		♣ A 8 6 5 2
		
		♠ Q 8 3
		♥ A K J 8 3 2
		♦ K 10 6
		♣ 10
		♠ K 9 6 2
		♥ 10 9 7 6
		♦ 8 7 5
		♣ K 4

EW 6♥; EW 5N; EW 5♦; EW 3♠; EW 4♣; Par -1430; EW 6♥=