

Board 1
North Deals
None Vul


Green-Thursday

♠ A 10 7 6		♠ —
♥ Q 10 9 7		♥ A K J 5 4 3
♦ 10 8 5		♦ K 9
♣ J 2		♣ A K 7 6 4
		♠ J 9 5 3 2
		♥ 8 6
		♦ A 6 3
		♣ Q 5 3

♠ K Q 8 4
♥ 2
♦ Q J 7 4 2
♣ 10 9 8

♠ —
♥ A K J 5 4 3
♦ K 9
♣ A K 7 6 4

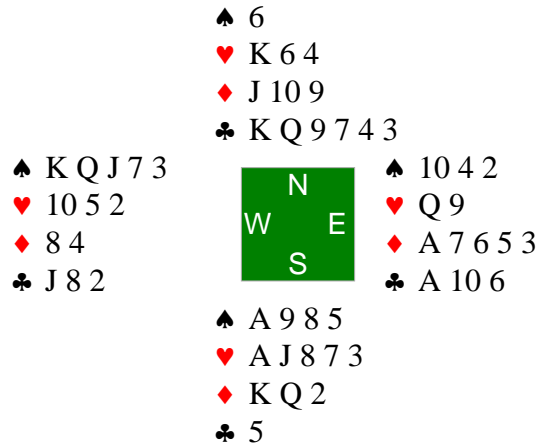
♠ J 9 5 3 2
♥ 8 6
♦ A 6 3
♣ Q 5 3



E 6♥; W 5♥; EW 3N; E 5♣; W 4♣; NS 1♠; Par -980; E 6♥=

Board 2
 East Deals
 N-S Vul

Green-Thursday



NS 4♥; NS 2N; NS 3♣; Par +620: NS 4♥=

Board 3
 South Deals
 E-W Vul

Green-Thursday

♠ A 9 8 5
 ♥ 9
 ♦ 10 6 3 2
 ♣ Q 5 4 2

♠ K Q 7 4
 ♥ A K Q J 10 3
 ♦ A Q 8
 ♣ —



♠ 10 3
 ♥ 8 5 4 2
 ♦ K 4
 ♣ A J 8 7 6

♠ J 6 2
 ♥ 7 6
 ♦ J 9 7 5
 ♣ K 10 9 3

EW 6♥; EW 4N; E 3♠; W 2♠; EW 2♣; EW 1♦; Par -1430: EW 6♥=

Board 4
West Deals
Both Vul

Green-Thursday

♠ K Q 5		♠ A 4 2
♥ K Q J 7		♥ 6 5 4
♦ A K		♦ 9 7 6 5 4 3
♣ K 10 5 4		♣ 8
		♠ 10 9 8 6
		♥ 9 2
		♦ 10 2
		♣ A Q J 9 3

♠ J 7 3
♥ A 10 8 3
♦ Q J 8
♣ 7 6 2

W N E
S

EW 4♦; EW 2N; EW 2♠; EW 2♥; EW 2♣; Par -130; EW 1♦ +3

Board 5
North Deals
N-S Vul

Green-Thursday

♠ K 8 7		♠ J 10 3
♥ K 8 5 2		♥ A J
♦ A 9 2		♦ 8 7
♣ Q J 5		♣ 10 9 8 6 4 2
	♠ 6 5	
	♥ Q 9 6 4	
	♦ K Q J 10 4	
	♣ A 3	
	♠ A Q 9 4 2	
	♥ 10 7 3	
	♦ 6 5 3	
	♣ K 7	

E 5♥; W 4♥; EW 4♦; EW 2N; NS 1♣; Par -450: E 4♥+1

Board 6
East Deals
E-W Vul

Green-Thursday

♠ 10 7 6 5
♥ J 10 9 8 4
♦ A 4
♣ 6 3

♠ K Q 4 2
♥ K Q 6 5
♦ K 10 9 5
♣ Q



♠ 9 8 3
♥ A 7 2
♦ J 7 3
♣ K 10 7 4

♠ A J
♥ 3
♦ Q 8 6 2
♣ A J 9 8 5 2

EW 2N; EW 2♠; EW 2♥; EW 2♦; NS 1♣; Par -120; EW 2N=

Board 7
South Deals
Both Vul

Green-Thursday

♠ Q J 9 6
♥ A J 10 8 6
♦ Q 3
♣ Q 6

♠ 10 8
♥ Q 7 5 4 2
♦ J 10 5 4
♣ 8 7




♠ K 7 4 3
♥ K 3
♦ K 8 7 6
♣ K 9 5

♠ A 5 2
♥ 9
♦ A 9 2
♣ A J 10 4 3 2

NS 5N; N 5♠; S 4♠; N 4♥; NS 5♣; S 3♥; NS 2♦;
Par +660: NS 3N+2

Board 8
West Deals
None Vul


Green-Thursday

♠ 8 7 6		♠ J 5 2
♥ K 6		♥ J 10
♦ J 9 7		♦ A K 6 4
♣ A 7 5 4 2		♣ K 8 6 3
		
		♠ Q 10 4
		♥ Q 9 8 7 3
		♦ Q 10 8
		♣ Q J
		♠ A K 9 3
		♥ A 5 4 2
		♦ 5 3 2
		♣ 10 9

NS 3♠; NS 2N; NS 3♦; NS 2♣; NS 1♥; Par +140; NS 1♠+2

Board 9
North Deals
E-W Vul

Green-Thursday

♠ 7 6		♠ 9 4 3
♥ 10 9 8		♥ 7 6 2
♦ Q 7 4 3 2		♦ K 6
♣ Q 5 4		♣ A K J 10 6
		
		♠ K Q 10 8 2
		♥ K Q 4 3
		♦ A
		♣ 9 7 3
		♠ A J 5
		♥ A J 5
		♦ J 10 9 8 5
		♣ 8 2

NS 3N; NS 4♣; NS 2♦; NS 1♠; NS 1♥; Par +400; NS 3N=

Board 10
East Deals
Both Vul

Green-Thursday

♠ J 10 4

♥ 9 5 2

♦ 7 5

♣ Q 10 9 5 2

♠ Q 5 3 2

♥ A 10 4

♦ A J 9 6

♣ A 6



♠ A K 9 8

♥ K J 7

♦ 8 4 3 2

♣ K 3

♠ 7 6

♥ Q 8 6 3

♦ K Q 10

♣ J 8 7 4

EW 6N; EW 6♠; EW 6♦; EW 4♥; EW 2♣; Par -1440; EW 6N=

Board 11
South Deals
None Vul

Green-Thursday

		♠ A 2	
		♥ A J 9 5	
		♦ K 6	
		♣ A 9 8 5 2	
♠ K J 4			♠ 9 8 6
♥ 2			♥ K Q 6 4
♦ A Q 8 7 4 3 2	W		♦ J 9
♣ Q 10			♣ J 7 6 4
		♠ Q 10 7 5 3	
		♥ 10 8 7 3	
		♦ 10 5	
		♣ K 3	

NS 3♥; NS 2♠; EW 2♦; NS 2♣; Par +140: NS 3♥=

Board 12
West Deals
N-S Vul

Green-Thursday

♠ K J 7

♥ 10 8

♦ A K Q 10 6 5 4

♣ 2

♠ A 10 9 5 4 2

♥ 5

♦ 9

♣ J 7 5 4 3



♠ Q

♥ Q J 9 7 4 2

♦ J 3

♣ Q 10 8 6

♠ 8 6 3

♥ A K 6 3

♦ 8 7 2

♣ A K 9

NS 6N; NS 5♦; EW 2♣; NS 1♥; Par +1100; EW 7♣×-5

Board 13
North Deals
Both Vul

Green-Thursday

♠ K 7 2
♥ A J 9 5
♦ Q 10 3
♣ A 9 6

♠ 6 3
♥ K Q 8 7 2
♦ K 8 5 4
♣ J 3



♠ A J 10 9 5
♥ 4
♦ J 9 7 6
♣ Q 10 7

♠ Q 8 4
♥ 10 6 3
♦ A 2
♣ K 8 5 4 2

NS 2N; NS 2♥; NS 3♣; N 1♠; EW 1♦; Par +120: NS 1N+1

Board 14
East Deals
None Vul

Green-Thursday

♠ 10 4 3

♥ 4

♦ J 8 7

♣ K Q J 9 6 3

♠ K 8 6 5

♥ Q 8 3 2

♦ 9 3 2

♣ 10 2



♠ A J 9

♥ J 10 9 6

♦ A K 10 6

♣ A 5

♠ Q 7 2

♥ A K 7 5

♦ Q 5 4

♣ 8 7 4

EW 3♥; EW 2♠; EW 3♦; NS 1♣; Par -140; EW 2♥+1

Board 15
South Deals
N-S Vul

Green-Thursday

♠ Q 9 5 3

♥ Q 7 4

♦ A 6 3

♣ J 4 2

♠ J 6 2

♥ 10 6 2

♦ K 5 4 2

♣ K 10 7



♠ A 10 8 7

♥ K 8 5

♦ Q 9 8 7

♣ 6 5

♠ K 4

♥ A J 9 3

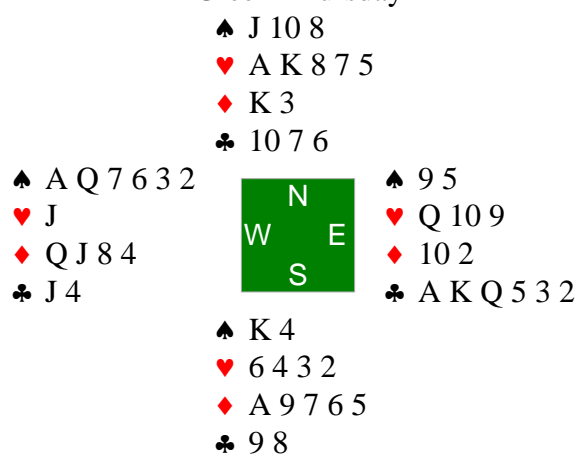
♦ J 10

♣ A Q 9 8 3

NS 3♥; NS 2N; NS 3♣; NS 1♠; EW 1♦; Par +140: NS 2♥+1

Board 16
 West Deals
 E-W Vul

Green-Thursday



EW 3♠; EW 2N; EW 3♣; EW 1♦; Par -140: EW 1♠+2

Board 17
North Deals
None Vul

Green-Thursday

♠ A Q 10 5 4
♥ 8 7
♦ Q 10 6 3
♣ 10 8

♠ K 9 2
♥ 4
♦ A K 4
♣ J 6 5 4 3 2



♠ J 7 6
♥ A Q J 9 2
♦ J 9 2
♣ A 7

♠ 8 3
♥ K 10 6 5 3
♦ 8 7 5
♣ K Q 9

EW 2♣; W 1♠; W 1♥; Par -90; EW 1♣+1

Board 19
South Deals
E-W Vul

Green-Thursday

♠ 3 2		♠ J 8 7
♥ 6 5 2		♥ A K Q
♦ A Q J 6 4		♦ K 10 5 3 2
♣ A 5 4		♣ Q 8
		♠ A K Q 6 5 4
		♥ 10 3
		♦ —
		♣ K 10 9 6 3

♠ 10 9
♥ J 9 8 7 4
♦ 9 8 7
♣ J 7 2

♠ 10 9
♥ J 9 8 7 4
♦ 9 8 7
♣ J 7 2

♠ J 8 7
♥ A K Q
♦ K 10 5 3 2
♣ Q 8

♠ A K Q 6 5 4
♥ 10 3
♦ —
♣ K 10 9 6 3

NS 3♠; EW 4♦; NS 3♣; EW 1N; E 1♥; Par -100; NS 4♠×-1

Board 20
West Deals
Both Vul

Green-Thursday

♠ K 10 8
♥ K 5
♦ Q 9 8 7 4
♣ Q 4 3

♠ 7 5 4 2
♥ 10 9 3
♦ A 6 5
♣ 9 8 2



♠ A J 9 6
♥ Q J 7 2
♦ K 10
♣ 10 6 5

♠ Q 3
♥ A 8 6 4
♦ J 3 2
♣ A K J 7

NS 4♦; NS 2N; N 2♥; NS 3♣; NS 1♠; S 1♥; Par +130: NS 1♦+3

Board 21
North Deals
N-S Vul

Green-Thursday

♠ 9		♠ K 5 2
♥ K Q J 9 5 2		♥ A 8 7 6 4
♦ A 6 4		♦ K J 5
♣ J 10 9		♣ 4 2
	W N E	♠ Q J 10 3
	S	♥ 10
		♦ Q 8 7 3
		♣ A Q 7 5
		♠ A 8 7 6 4
		♥ 3
		♦ 10 9 2
		♣ K 8 6 3

EW 2N; NS 2♠; EW 2♥; EW 1♦; EW 1♣; Par -120; EW 2N=

Board 22
East Deals
E-W Vul

Green-Thursday

♠ J 10 8 5
♥ J 10 8 7
♦ A 10 8 4
♣ 5

♠ K 6 3 2
♥ Q 6
♦ 9 6
♣ 10 9 8 6 2



♠ 9 4
♥ K 4 3 2
♦ 7 5
♣ A K J 7 3

♠ A Q 7
♥ A 9 5
♦ K Q J 3 2
♣ Q 4

NS 4♦; NS 2♠; NS 2♥; EW 3♣; NS 1N; Par +130: NS 3♦+1

Board 23
South Deals
Both Vul

Green-Thursday

♠ J 9 7 4
♥ A 10 9 8 3
♦ J
♣ Q 9 2

♠ 10 8 6
♥ 7 6 4 2
♦ 9 6 4
♣ 7 5 3



♠ K Q 5 3
♥ Q
♦ Q 10 8 7 2
♣ A 6 4

♠ A 2
♥ K J 5
♦ A K 5 3
♣ K J 10 8

NS 5N; NS 5♥; NS 5♣; NS 2♠; NS 2♦; Par +660: NS 3N+2

Board 25
North Deals
E-W Vul

Green-Thursday

♠ 9 8 5

♥ 4 3

♦ K 10 9 8 6

♣ Q 10 6

♠ A Q 2

♥ K 9 7 5

♦ Q

♣ J 9 8 4 2



♠ 7 6 4 3

♥ A Q J 10

♦ 7 5

♣ K 5 3

♠ K J 10

♥ 8 6 2

♦ A J 4 3 2

♣ A 7

EW 3♥; EW 2♠; NS 1N; NS 2♦; EW 2♣; Par -140: EW 3♥=

Board 26
East Deals
Both Vul

Green-Thursday

♠ K 9 7 6 4

♥ Q 3 2

♦ K J 9

♣ Q 2

♠ 2

♥ J 8 7

♦ A Q 10 8

♣ A 10 8 6 4



♠ A 8 3

♥ A K 10 6 5

♦ 7 6 4

♣ 5 3

♠ Q J 10 5

♥ 9 4

♦ 5 3 2

♣ K J 9 7

EW 4♥; EW 2N; NS 2♠; EW 3♦; EW 2♣; Par -500: NS 4♠×-2

Board 27
South Deals
None Vul

Green-Thursday

♠ 3		♠ A J 8 7 6 4 2
♥ 5 4		♥ Q 3
♦ A K Q 9 6 4 3	W	♦ 10
♣ A 7 6	N S	♣ Q 10 3
		♠ K 10 9 5
		♥ K 9 8 7 6
		♦ —
		♣ K J 5 2

NS 4♥; NS 1N; EW 2♦; NS 2♣; EW 1♠; Par +420: NS 4♥=

Board 28
West Deals
N-S Vul

Green-Thursday

♠ 10 6 2		♠ K Q J 9 8
♥ 9 5		♥ A 7 4 3
♦ 9 6 5 3		♦ K Q
♣ K 8 6 2		♣ Q 9
		♠ 7 4
		♥ Q 10 2
		♦ A J 10 8 2
		♣ J 5 3

♠ A 5 3
♥ K J 8 6
♦ 7 4
♣ A 10 7 4

♠ A 5 3
♥ K J 8 6
♦ 7 4
♣ A 10 7 4

♠ K Q J 9 8
♥ A 7 4 3
♦ K Q
♣ Q 9

♠ 7 4
♥ Q 10 2
♦ A J 10 8 2
♣ J 5 3

NS 1N; NS 2♦; EW 1♠; NS 1♥; NS 1♣; Par +90: NS 1N=; NS 2♦=

Board 29
North Deals
Both Vul

Green-Thursday

♠ K J 5 4		♠ A Q 8 6
♥ A K 9 5		♥ J 4 3
♦ 7 5 3		♦ J 8 4 2
♣ 10 2		♣ 8 5
		♠ 10 9 7 2
		♥ Q 10 8 6 2
		♦ K 9
		♣ 6 4

♠ 3
♥ 7
♦ A Q 10 6
♣ A K Q J 9 7 3



NS 5♣; NS 2♦; EW 1♠; Par +600: NS 5♣=

Board 30
East Deals
None Vul

Green-Thursday

♠ Q 5 4
♥ A K 9 5 4 2
♦ 4
♣ A K 5

♠ 9 8 3
♥ Q 6
♦ K J 9 8 6 2
♣ Q 4



♠ A J 6
♥ J 7
♦ A Q 10 7 3
♣ 9 8 3

♠ K 10 7 2
♥ 10 8 3
♦ 5
♣ J 10 7 6 2

NS 5♠; NS 5♥; NS 5♣; EW 1♦; Par +450: NS 4♥+1; NS 4♠+1

Board 31
South Deals
N-S Vul

Green-Thursday

♠ K 7 6
♥ A K Q 10 9 8
♦ K
♣ J 6 2

♠ J 3 2
♥ 5 4 2
♦ 9 6 2
♣ A K 8 4



♠ Q 10 9 5
♥ —
♦ A J 10 8 5 4 3
♣ 9 3

♠ A 8 4
♥ J 7 6 3
♦ Q 7
♣ Q 10 7 5

NS 4♥; NS 3N; EW 4♦; NS 2♣; Par +100; EW 5♦ ×-1

Board 32
West Deals
E-W Vul

Green-Thursday

♠ K Q J 10 7 5

♥ A 8 5

♦ Q J 4

♣ 7

♠ 4 2

♥ J 10 7 4 3

♦ A 7 3

♣ Q 5 4



♠ 9 8 6 3

♥ K 9 6

♦ 10 8 6

♣ 9 3 2

♠ A

♥ Q 2

♦ K 9 5 2

♣ A K J 10 8 6

N 6♦; NS 5N; NS 5♠; S 5♦; N 5♣; NS 3♥; S 4♣; Par +920: N 6♦=

Board 33
North Deals
None Vul

Green-Thursday

	♠ 3 2	
	♥ 7 4 3	
	♦ A 10 7	
	♣ A Q 10 8 2	
♠ K J		♠ 10 9 8 7 6
♥ Q 5		♥ A K J 8
♦ K Q 8 6 3 2		♦ J 4
♣ 6 4 3		♣ K J
	♠ A Q 5 4	
	♥ 10 9 6 2	
	♦ 9 5	
	♣ 9 7 5	

EW 3♠; EW 4♦; EW 2♥; EW 1N; NS 1♣; Par -140: EW 2♠+1

Board 34
East Deals
N-S Vul

Green-Thursday

♠ A Q
♥ 10 7 6 5 4 2
♦ Q 9 8 2
♣ A

♠ 7 6 4
♥ Q 9
♦ K 6 4 3
♣ K J 4 3



♠ J 10 8 2
♥ A J 8
♦ A
♣ 10 9 8 6 2

♠ K 9 5 3
♥ K 3
♦ J 10 7 5
♣ Q 7 5

NS 3♥; NS 3♦; EW 1N; EW 2♣; EW 1♠; Par +140: NS 3♥=

Board 35
South Deals
E-W Vul

Green-Thursday

♠ 6		♠ K 8 7 4
♥ A 10 7 6		♥ 8 5
♦ 6 5 4		♦ Q 10 7
♣ K 10 9 8 7		♣ A J 5 2
	♠ A J	
	♥ Q J 4	
	♦ A K J 9 8	
	♣ 6 4 3	
	♠ Q 10 9 5 3 2	
	♥ K 9 3 2	
	♦ 3 2	
	♣ Q	

EW 4N; EW 4♥; EW 5♦; EW 4♣; NS 2♠; Par -500: NS 5♠×-3

