

Orange Tuesday June 18, 2024

Board 1
North Deals
None Vul


♠	Q 10 2		♠	A 8
♥	9 8 6 5 3		♥	K 10 4
♦	J 9 5		♦	10 8 7 2
♣	A 3		♣	10 9 5 4

♠	6 5 4 3		♠	K J 9 7
♥	J		♥	A Q 7 2
♦	Q 6 3		♦	A K 4
♣	J 8 7 6 2		♣	K Q

NS 4♠; NS 2N; NS 3♣; NS 2♦; NS 1♥; Par +420; NS 4♠=

Orange Tuesday June 18, 2024

Board 2
East Deals
N-S Vul

♠ 8 2		♠ A 10 9 7 5 3
♥ K J 8 3		♥ 2
♦ J 7 6 4		♦ Q
♣ K 9 7		♣ A J 10 6 3
		
		♠ K
		♥ A 10 9 7 6 5 4
		♦ K 10 8 3
		♣ 8
		♠ Q J 6 4
		♥ Q
		♦ A 9 5 2
		♣ Q 5 4 2

NS 6♠; NS 6♣; EW 3♥; EW 2♦; Par +800: EW 7♥×-4

Orange Tuesday June 18, 2024

Board 3
South Deals
E-W Vul

<p>♠ A J 9 7 4 3 ♥ 9 2 ♦ 6 4 ♣ A 9 4</p>	<div style="background-color: #006400; color: white; padding: 5px; display: inline-block; width: 60px; height: 60px; border: 1px solid black;"> N W E S </div>	<p>♠ Q 5 ♥ 7 3 ♦ K Q 9 5 3 2 ♣ Q J 2</p> <p>♠ 10 6 ♥ A J 6 5 4 ♦ 8 7 ♣ K 10 7 6</p> <p>♠ K 8 2 ♥ K Q 10 8 ♦ A J 10 ♣ 8 5 3</p>
--	---	--

EW 2♠; NS 3♦; NS 1N; EW 1♣; Par +110: NS 3♦=

Orange Tuesday June 18, 2024

Board 4
West Deals
Both Vul

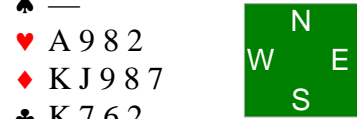
♠ —		♠ J 10 9 5 4 2
♥ A 9 8 2		♥ 5 4
♦ K J 9 8 7		♦ —
♣ K 7 6 2		♣ J 9 8 4 3
		♠ K 7 3
		♥ K 10 7 6 3
		♦ A 10 6 3
		♣ A

♠ A Q 8 6
♥ Q J
♦ Q 5 4 2
♣ Q 10 5

♠ —
♥ A 9 8 2
♦ K J 9 8 7
♣ K 7 6 2

♠ J 10 9 5 4 2
♥ 5 4
♦ —
♣ J 9 8 4 3


♠ K 7 3
♥ K 10 7 6 3
♦ A 10 6 3
♣ A



NS 4N; NS 2♠; S 2♥; NS 3♦; EW 2♣; N 1♥; Par +630: NS 4N=

Orange Tuesday June 18, 2024

Board 5
North Deals
N-S Vul

♠ 9 3 2		♠ K 7 6
♥ A 9 3		♥ Q 8 5
♦ J 9 8 4		♦ A 3
♣ 10 6 5		♣ A K Q J 3
		♠ J 4
		♥ K J 10 7 6 2
		♦ K 6 5 2
		♣ 8
		♠ A Q 10 8 5
		♥ 4
		♦ Q 10 7
		♣ 9 7 4 2

NS 6♣; NS 5♠; EW 2♥; NS 1N; EW 1♦; Par +800; EW 6♥×-4

Orange Tuesday June 18, 2024

Board 6
East Deals
E-W Vul

	♠ A K 6 2	
	♥ J 10 9 3	
	♦ 8 2	
	♣ A 7 6	
♠ Q 7 5		♠ 10 9 8
♥ A 6 4		♥ K 8 5 2
♦ A K Q 10 6		♦ J 5 4
♣ 8 2		♣ Q 5 3
	♠ J 4 3	
	♥ Q 7	
	♦ 9 7 3	
	♣ K J 10 9 4	

Diagram: A green square with 'N' at the top, 'S' at the bottom, 'W' on the left, and 'E' on the right.

NS 2♠; EW 2♦; NS 2♣; Par +110: NS 2♠=

Orange Tuesday June 18, 2024

Board 7
South Deals
Both Vul

♠ A 3		♠ K 10 5
♥ A K 3 2		♥ 8 7 4
♦ A J 10 9 4		♦ 5
♣ 7 6		♣ A Q 8 4 3 2
		♠ J 9 8 7 2
		♥ 9
		♦ Q 7 6
		♣ K J 10 9

♠ Q 6 4
♥ Q J 10 6 5
♦ K 8 3 2
♣ 5

♠ Q 6 4
♥ Q J 10 6 5
♦ K 8 3 2
♣ 5

♠ K 10 5
♥ 8 7 4
♦ 5
♣ A Q 8 4 3 2

♠ J 9 8 7 2
♥ 9
♦ Q 7 6
♣ K J 10 9

EW 3♥; EW 4♣; EW 2N; EW 2♦; EW 1♠; Par -140; EW 1♥+2

Orange Tuesday June 18, 2024


Board 8
West Deals
None Vul

	♠ Q 2	
	♥ A K Q 7 5	
	♦ 8 5	
	♣ J 9 8 4	
♠ 10 9 8 3		♠ A 7 4
♥ 9 8		♥ 10 6 2
♦ A J 9 4		♦ 7 6 3 2
♣ A 7 6		♣ K 5 2
	♠ K J 6 5	
	♥ J 4 3	
	♦ K Q 10	
	♣ Q 10 3	

NS 3♥; NS 1N; NS 2♣; NS 1♠; EW 1♦; Par +140: NS 2♥+1

Orange Tuesday June 18, 2024

Board 9
North Deals
E-W Vul

	♠ A 5	
	♥ 10 8 4 2	
	♦ A J 4 2	
	♣ K 8 3	
♠ K Q 7 6 4 3		♠ 8
♥ K 9 6		♥ A 7
♦ 10 3		♦ K Q 8 7 6
♣ 7 5		♣ Q 10 6 4 2
	♠ J 10 9 2	
	♥ Q J 5 3	
	♦ 9 5	
	♣ A J 9	

NS 2N; NS 2♥; EW 1♠; EW 1♦; EW 1♣; Par +120: NS 1N+1

Orange Tuesday June 18, 2024

Board 10
East Deals
Both Vul

	♠ A 5										
	♥ Q 6										
	♦ 7 6 5 3										
	♣ A Q 10 7 2										
♠ K Q J 9 7 2	<table border="1"><tr><td></td><td>N</td><td></td></tr><tr><td>W</td><td></td><td>E</td></tr><tr><td></td><td>S</td><td></td></tr></table>		N		W		E		S		♠ 6 4 3
	N										
W		E									
	S										
♥ A K J 8		♥ 4 2									
♦ A 2		♦ K J 10 8 4									
♣ 4		♣ K 9 3									
	♠ 10 8										
	♥ 10 9 7 5 3										
	♦ Q 9										
	♣ J 8 6 5										

EW 5♠; EW 3N; EW 5♦; EW 2♥; W 1♣; Par -650: EW 4♠+1

Orange Tuesday June 18, 2024

Board 11
South Deals
None Vul

♠ Q J 3	♠ A	♠ 9 6 5 2			
♥ Q 10 6	♥ 4 3	♥ A K 8 7			
♦ K Q J 10 9 4	♦ 8 5 3	♦ A 7			
♣ 10	♣ A J 9 8 5 4 3	♣ Q 6 2			
<table style="border: 1px solid black; background-color: #008000; color: white; width: 60px; height: 40px; margin: auto;"> <tr><td style="text-align: center;">N</td></tr> <tr><td style="text-align: center;">W E</td></tr> <tr><td style="text-align: center;">S</td></tr> </table>			N	W E	S
N					
W E					
S					
♠ K 10 8 7 4					
♥ J 9 5 2					
♦ 6 2					
♣ K 7					

E 3N; EW 2♥; EW 3♦; NS 2♣; EW 1♠; Par -300: NS 4♣×-2

Orange Tuesday June 18, 2024

Board 12
West Deals
N-S Vul

	♠ K Q 10		
	♥ Q		
	♦ 8 7 6 4		
	♣ K 10 8 7 6		
♠ J 7 3 2		♠ 8 5 4	
♥ J		♥ A 10 9 8 6 3 2	
♦ K Q J 10 9 5 2		♦ 3	
♣ J		♣ A 5	
	♠ A 9 6		
	♥ K 7 5 4		
	♦ A		
	♣ Q 9 4 3 2		

NS 5♣; EW 3♦; NS 1♠; EW 1♥; Par +300; EW 5♦×-2

Orange Tuesday June 18, 2024


Board 13
North Deals
Both Vul

	♠ Q 9 6 5	
	♥ —	
	♦ A 10 8 4 3 2	
	♣ 8 6 5	
♠ A 7 4		♠ K 10 2
♥ 10 8 7 4 3		♥ K Q 9 2
♦ K J		♦ 6 5
♣ K 3 2		♣ J 10 9 4
	♠ J 8 3	
	♥ A J 6 5	
	♦ Q 9 7	
	♣ A Q 7	

NS 2♠; EW 2♥; NS 3♦; NS 1N; S 1♣; Par +110: NS 2♠=; NS 3♦=

Orange Tuesday June 18, 2024

Board 14
East Deals
None Vul

♠ 10 6 5 4		♠ K J
♥ 9 5		♥ J 8 7 6 4
♦ Q J 9 2		♦ K 5 4
♣ K Q 4		♣ J 8 6
		
		♠ 9 8 7 3
		♥ K
		♦ A 10 8 3
		♣ 7 5 3 2

N 2♠; NS 2♥; NS 1N; NS 2♣; S 1♠; NS 1♦;
Par +110: NS 2♥=; N 2♠=

Orange Tuesday June 18, 2024

Board 15
South Deals
N-S Vul

♠ A K 9 5		♠ Q J
♥ K Q 7 2		♥ 8
♦ Q 5 4		♦ K J 10
♣ 4 2		♣ A Q 10 9 8 6 3
		♠ 6 3 2
		♥ A J 10 9 4 3
		♦ 9 7 2
		♣ 5

♠ 10 8 7 4
♥ 6 5
♦ A 8 6 3
♣ K J 7

W N E
S

EW 5N; EW 4♠; EW 5♣; EW 2♥; EW 3♦; Par -460; EW 3N+2

Orange Tuesday June 18, 2024

Board 16
West Deals
E-W Vul

♠ A J 10		♠ 9 7 3 2
♥ A K 2		♥ Q J 8 7
♦ 9 8 6		♦ 4 3
♣ 9 8 5 2		♣ K J 3
	♠ Q 6 4	
	♥ 4	
	♦ K J 10 5 2	
	♣ Q 7 6 4	
	♠ K 8 5	
	♥ 10 9 6 5 3	
	♦ A Q 7	
	♣ A 10	



NS 2♥; NS 1N; EW 2♦; EW 2♣; NS 1♠; Par +110: NS 2♥=

Orange Tuesday June 18, 2024

Board 17
North Deals
None Vul

♠ A 10 9 8 7 3		♠ Q 6 2
♥ 10 7		♥ Q 9 5
♦ J 9		♦ K
♣ A Q 5		♣ K J 9 4 3 2
		♠ K
		♥ A K J 8 6
		♦ A 7 6 5 4
		♣ 10 7

♠ J 5 4
♥ 4 3 2
♦ Q 10 8 3 2
♣ 8 6

W N E
S

EW 3♠; NS 3♥; NS 4♦; EW 4♣; Par +100: EW 4♠×-1; EW 5♣×-1

Orange Tuesday June 18, 2024

Board 18
 East Deals
 N-S Vul

♠ K J 10 7 ♥ A K 6 ♦ 5 4 ♣ Q 7 5 4	N W E S	♠ 5 3 ♥ J 9 ♦ A 9 8 2 ♣ A K 10 3 2 ♠ Q 8 6 ♥ Q 8 7 4 2 ♦ Q 6 ♣ J 9 6 ♠ A 9 4 2 ♥ 10 5 3 ♦ K J 10 7 3 ♣ 8
---	------------------	---

NS 4♦; NS 2N; NS 2♣; NS 1♠; EW 1♥; Par +130: NS 3♦+1

Orange Tuesday June 18, 2024

Board 19
South Deals
E-W Vul

♠ A Q 8 4 2	♠ K 9 7 3		♠ J
♥ J 9 3	♥ 10 6 5 4	<div style="background-color: #008000; color: white; padding: 5px; width: 30px; height: 30px; margin: 0 auto; display: flex; align-items: center; justify-content: center; gap: 5px;"> N W E S </div>	♥ 8 2
♦ 9 6	♦ A Q 10 8 4		♦ K 5 2
♣ 8 6 2	♣ —		♣ A K J 10 9 4 3
	♠ 10 6 5		
	♥ A K Q 7		
	♦ J 7 3		
	♣ Q 7 5		

NS 4♥; NS 4♦; NS 2♠; EW 3♣; Par +420; NS 4♥=

Orange Tuesday June 18, 2024

Board 20
West Deals
Both Vul

	♠ K Q 8 4	
	♥ A J 7 6 4	
	♦ Q 2	
	♣ 9 4	
♠ A J 7 3		♠ 10 9 6 2
♥ 3		♥ K 10 9 5
♦ J 10 9 5 4 3		♦ K 8
♣ J 3		♣ 8 5 2
	♠ 5	
	♥ Q 8 2	
	♦ A 7 6	
	♣ A K Q 10 7 6	

N 4N; NS 4♥; S 3N; N 5♣; S 4♣; NS 1♠; NS 1♦; Par +630: N 3N+1

Orange Tuesday June 18, 2024

Board 21
North Deals
N-S Vul

♠ A 8 3		♠ K Q J 7
♥ K 10 8 2		♥ A 9 6
♦ Q 9 7 5		♦ 8 6 4 3
♣ 7 4		♣ A K
		♠ 9 4 2
		♥ Q 5 4 3
		♦ A J
		♣ J 10 6 3


♠ 10 6 5
♥ J 7
♦ K 10 2
♣ Q 9 8 5 2

W N E
S

EW 3N; EW 3♠; EW 3♥; EW 4♦; EW 1♣; Par -400; EW 3N=

Orange Tuesday June 18, 2024

Board 22
East Deals
E-W Vul

	♠ K 10	
	♥ A J 8 5 3 2	
	♦ 8 3	
	♣ Q 8 6	
♠ A Q 9 5 4 3		♠ 8 7 2
♥ 10 9		♥ K Q 7 6 4
♦ A 10 4		♦ Q J 9
♣ 10 3		♣ 9 2
	♠ J 6	
	♥ —	
	♦ K 7 6 5 2	
	♣ A K J 7 5 4	

NS 4♣; NS 2N; EW 2♠; NS 3♦; EW 1♥; Par +130: NS 3♣+1

Orange Tuesday June 18, 2024


Board 23
South Deals
Both Vul

	♠ 8 5		
	♥ Q 7 3 2		
	♦ J 7		
	♣ A K 10 5 4		
♠ Q J 3 2		♠ 10 9 7	
♥ K 9 5		♥ J 10 8 4	
♦ 8 5 3		♦ Q 10 9 4	
♣ J 8 2		♣ 7 6	
	♠ A K 6 4		
	♥ A 6		
	♦ A K 6 2		
	♣ Q 9 3		

NS 6♣; NS 5N; NS 5♥; NS 4♠; NS 4♦; Par +1370; NS 6♣=

Orange Tuesday June 18, 2024

Board 24
West Deals
None Vul

♠ K J 4 3		♠ 7 5
♥ 10		♥ A K Q 8 7
♦ 9 8 7 4		♦ K 10 3
♣ 8 7 6 4		♣ Q 3 2
		♠ Q 10 2
	♥ J 5 4	
	♦ J 6 2	
	♣ A J 10 5	

NS 2N; NS 2♠; NS 1♥; NS 1♦; NS 1♣; Par +120; NS 1N+1

Orange Tuesday June 18, 2024

Board 25
North Deals
E-W Vul

	♠ Q J	
	♥ Q 6 5 4 2	
	♦ K 4 3	
	♣ 8 7 5	
♠ 10 2		♠ 8 5 3
♥ A 9		♥ J 7
♦ A Q 10 9 7 2	W N E	♦ J 8 6 5
♣ J 10 3	S	♣ A K Q 2
	♠ A K 9 7 6 4	
	♥ K 10 8 3	
	♦ —	
	♣ 9 6 4	

NS 3♠; NS 3♥; EW 3♦; NS 1N; EW 2♣; Par +140: NS 3♥=; NS 3♠=

Orange Tuesday June 18, 2024

Board 26
East Deals
Both Vul

♠ —		♠ A Q 9 8 3 2
♥ K Q J 7 2		♥ 10 6 3
♦ Q J 4 2		♦ A
♣ A 10 8 6		♣ J 9 4
		♠ K J 10 4
		♥ A 8 5 4
		♦ 8 6
		♣ Q 5 3

♠ 7 6 5
♥ 9
♦ K 10 9 7 5 3
♣ K 7 2

♠ —
♥ K Q J 7 2
♦ Q J 4 2
♣ A 10 8 6

♠ A Q 9 8 3 2
♥ 10 6 3
♦ A
♣ J 9 4

♠ K J 10 4
♥ A 8 5 4
♦ 8 6
♣ Q 5 3

EW 4♥; E 2N; EW 3♣; W 1N; EW 1♠; NS 1♦; Par -620: EW 4♥=

Orange Tuesday June 18, 2024

Board 27
South Deals
None Vul

♠ J 10 8 7 4		
♥ 9 3 2		
♦ A 6		
♣ A K 3		
♠ A 9 3		♠ Q 5 2
♥ K 10		♥ Q J 8 4
♦ K J 2		♦ Q 10 7 3
♣ 10 7 6 5 4		♣ Q 2
♠ K 6		
♥ A 7 6 5		
♦ 9 8 5 4		
♣ J 9 8		

NS 2♠; EW 1♦; Par +110: NS 2♠=

Orange Tuesday June 18, 2024

Board 28
West Deals
N-S Vul

♠ 9 8 3			
♥ K 9 6 5			
♦ 9 8 6			
♣ 7 6 2			
♠ Q J 10			♠ 7 6 4 2
♥ Q 10 7 4 3			♥ A 2
♦ Q J 5 3			♦ K 10
♣ 5			♣ A K Q J 9
♠ A K 5			
♥ J 8			
♦ A 7 4 2			
♣ 10 8 4 3			


♠ N
♥ W E
♦ S

EW 4N; EW 3♠; EW 4♣; EW 2♥; EW 3♦; Par -430; EW 3N+1

Orange Tuesday June 18, 2024

Board 29
North Deals
Both Vul

♠ A 9 5 3 2		♠ K J 7 6 4
♥ Q 7 4		♥ K 8 6
♦ 4 3		♦ 7 5 2
♣ J 8 4		♣ A 2
		♠ Q
		♥ J 10 9 3
		♦ A K Q 10 6
		♣ Q 5 3



N
W E
S

NS 4♦; NS 4♣; EW 2♠; NS 2♥; Par +130; NS 3♣+1; NS 3♦+1

Orange Tuesday June 18, 2024

Board 30
East Deals
None Vul


♠ 5		♠ A 10 9 6 4
♥ A J 10 7		♥ K 5 4 2
♦ K 10 4 2		♦ A 9
♣ J 10 8 6		♣ A 7
		♠ J 7 3 2
		♥ 8 6
		♦ Q J 8 6
		♣ K 9 4

♠ K Q 8
♥ Q 9 3
♦ 7 5 3
♣ Q 5 3 2

♠ K Q 8
♥ Q 9 3
♦ 7 5 3
♣ Q 5 3 2

♠ A 10 9 6 4
♥ K 5 4 2
♦ A 9
♣ A 7

♠ J 7 3 2
♥ 8 6
♦ Q J 8 6
♣ K 9 4




EW 5♥; EW 3N; EW 3♠; EW 3♦; EW 3♣; Par -450; EW 4♥+1

Orange Tuesday June 18, 2024

Board 31
South Deals
N-S Vul

	♠ K 8 5	
	♥ K 3 2	
	♦ A K 7 2	
	♣ J 9 7	
♠ J 10 3		♠ Q 9 7 6
♥ A Q 9 8 7 4		♥ J 6
♦ Q J 8		♦ 6 5 4 3
♣ K		♣ Q 8 5
	♠ A 4 2	
	♥ 10 5	
	♦ 10 9	
	♣ A 10 6 4 3 2	



NS 3N; NS 5♣; NS 2♠; NS 2♦; Par +600: NS 3N=; NS 5♣=

Orange Tuesday June 18, 2024

Board 32
West Deals
E-W Vul

♠ A Q 3 2		♠ 8 5 4
♥ 10 8 4		♥ 9 7
♦ J 3		♦ K 8 7 5 4 2
♣ J 9 7 5		♣ Q 10
		♠ J 7 6
		♥ J 6 5
		♦ A Q 10 9
		♣ K 8 2

♠ K 10 9
♥ A K Q 3 2
♦ 6
♣ A 6 4 3

♠ K 10 9
♥ A K Q 3 2
♦ 6
♣ A 6 4 3


♠ 8 5 4
♥ 9 7
♦ K 8 7 5 4 2
♣ Q 10

♠ J 7 6
♥ J 6 5
♦ A Q 10 9
♣ K 8 2

NS 5N; NS 5♥; NS 3♠; NS 4♣; NS 3♦; Par +460: NS 3N+2

Orange Tuesday June 18, 2024

Board 33
 North Deals
 None Vul

	♠ 10 8 2	
	♥ A	
	♦ A K J 9 7	
	♣ A K 6 3	
♠ A 9 5 4 3		♠ 7 6
♥ K Q 5		♥ J 10 9 8 2
♦ 4 2		♦ Q 10 8 3
♣ J 10 2		♣ Q 5
	♠ K Q J	
	♥ 7 6 4 3	
	♦ 6 5	
	♣ 9 8 7 4	

NS 5♣; NS 2♠; NS 3♦; NS 1N; EW 1♥; Par +400: NS 5♣=

Orange Tuesday June 18, 2024

Board 34
East Deals
N-S Vul

♠ A 10 5 4		♠ 9 8 2
♥ J 9 7 6		♥ A 8 3 2
♦ 5		♦ Q 10 8
♣ K 9 6 2		♣ A J 10
		♠ K Q J 7 6 3
		♥ Q 10
		♦ 9 7 6 2
		♣ Q

♠ —
♥ K 5 4
♦ A K J 4 3
♣ 8 7 5 4 3

W N E
S

NS 4♦; EW 2N; NS 2♠; EW 2♥; EW 1♣; Par +130: NS 4♦=

Orange Tuesday June 18, 2024

Board 35
South Deals
E-W Vul

♠ —			
♥ K Q 3			
♦ A K Q J 9 6			
♣ A Q 10 3			
♠ A K J 9 8			♠ Q 2
♥ 9 7 6 2			♥ A J 10 4
♦ 7 4 2			♦ 10 5 3
♣ 6			♣ K J 8 4
			♠ 10 7 6 5 4 3
			♥ 8 5
			♦ 8
			♣ 9 7 5 2

NS 4♣; NS 3♦; N 1♠; EW 1♥; Par +130: NS 2♣+2

Orange Tuesday June 18, 2024

Board 36
West Deals
Both Vul

	♠ 10 8		
	♥ K J 5 4		
	♦ J 8 5		
	♣ A J 7 6		
♠ A Q 5 3		♠ K J 9 7 6 2	
♥ 3		♥ Q 6 2	
♦ A K 10 9 2		♦ 7 4	
♣ K 4 3		♣ 8 5	
	♠ 4		
	♥ A 10 9 8 7		
	♦ Q 6 3		
	♣ Q 10 9 2		

EW 4♠; NS 3♥; NS 3♣; EW 2♦; Par -500: NS 5♣×-2; NS 5♥×-2