


Board 2
East Deals
N-S Vul

♠ 5 4		♠ A 6 2
♥ K 6 5 4 3		♥ A Q 10 9 7
♦ 3 2		♦ A
♣ A 6 5 2		♣ Q 10 8 4
	♠ N	♠ K 10 8 7 3
	W E	♥ J 8
	S	♦ 10 9 8
		♣ J 7 3
		♠ Q J 9
		♥ 2
		♦ K Q J 7 6 5 4
		♣ K 9

N 6♦; NS 5N; NS 4♥; S 5♦; NS 5♣; NS 3♠; Par +1370

Board 3
South Deals
E-W Vul

	♠ 10 7	
	♥ 8 5 4 3	
	♦ A K 5 4	
	♣ K 10 7	
♠ K Q 9 6 2		♠ 8 3
♥ Q 10		♥ A K 2
♦ 9 8 2		♦ Q 7 3
♣ A Q 5		♣ J 9 6 4 2
	♠ A J 5 4	
	♥ J 9 7 6	
	♦ J 10 6	
	♣ 8 3	

EW 2N; EW 2♠; EW 3♣; NS 1♥; EW 1♦; Par -120

Board 5
North Deals
N-S Vul

♠ J 7		♠ 8 4
♥ K 10 8 7 6		♥ Q J 9 4
♦ 10 6 3		♦ J 8 7 5
♣ 7 5 4		♣ 10 6 3
	♠ A 5 3	
	♥ 5 2	
	♦ A K 9 2	
	♣ A K Q 8	
	♠ K Q 10 9 6 2	
	♥ A 3	
	♦ Q 4	
	♣ J 9 2	

EW 3♥; EW 3♦; EW 3♣; EW 1N; EW 1♠; Par -140

Board 6
East Deals
E-W Vul

	♠ A Q 9 4	
	♥ K 7 5 4	
	♦ 6 5 2	
	♣ Q 9	
♠ 6 5 2		♠ 10 8
♥ 3 2		♥ A Q 8 6
♦ J 7 3		♦ K 4
♣ 8 7 6 5 4		♣ A J 10 3 2
	♠ K J 7 3	
	♥ J 10 9	
	♦ A Q 10 9 8	
	♣ K	

N 3♠; S 2♠; NS 2♥; N 3♦; NS 1N; S 2♦; EW 2♣; Par +140

Board 7
South Deals
Both Vul

♠ 10 9 7 2		♠ K J 5 4
♥ 8 4 2		♥ Q 7
♦ A Q 8 6		♦ 4 2
♣ A 10		♣ Q J 4 3 2
	W N E	♠ A 8 6 3
	S	♥ 9 6
		♦ K
		♣ K 9 8 7 6 5
		♠ Q
		♥ A K J 10 5 3
		♦ J 10 9 7 5 3
		♣ —

EW 3♠; NS 3♥; NS 2♦; EW 2♣; Par -140

Board 8

West Deals

None Vul

	♠ Q 10		
	♥ 9 5 3 2		
	♦ K 9 5 3		
	♣ J 6 5		
♠ 6 5 4		♠ J 7 2	
♥ Q J 10 6		♥ K 8 7	
♦ A 8 7 6		♦ Q J 4	
♣ K 3		♣ A Q 9 4	
	♠ A K 9 8 3		
	♥ A 4		
	♦ 10 2		
	♣ 10 8 7 2		

EW 2♥; NS 1♠; EW 1♦; NS 1♣; Par -100; NS 2♠×-1

Board 9
North Deals
E-W Vul

♠ J 4		♠ A K 9 3
♥ A Q 6 5 4		♥ 10 9 3
♦ Q 8 3		♦ J 10 6 4
♣ 9 7 3		♣ 10 8
	♠ Q 8 7 2	
	♥ J 8	
	♦ K 5	
	♣ A K Q 6 2	
		♠ 10 6 5
		♥ K 7 2
		♦ A 9 7 2
		♣ J 5 4

EW 3♥; EW 4♣; EW 2N; EW 2♠; EW 1♦; Par -140

Board 10
East Deals
Both Vul

♠ K Q 8 4		♠ A J 9 5
♥ 6		♥ A K Q J 10
♦ Q 8 5 3		♦ 7
♣ 10 7 5 3		♣ J 9 6
	♠ 10 2	
	♥ 9 7 2	
	♦ K J 6 4	
	♣ K Q 4 2	
	♠ 7 6 3	
	♥ 8 5 4 3	
	♦ A 10 9 2	
	♣ A 8	

NS 5♥; NS 3N; NS 3♠; EW 1♣; Par +650

Board 11
South Deals
None Vul

	♠ A Q 6 5 4 2	
	♥ Q 10 5	
	♦ 8 2	
	♣ 5 4	
♠ 10 3		♠ 9 8 7
♥ 6 3		♥ A J 8
♦ A 7 6		♦ 10 4 3
♣ A 10 9 8 6 2		♣ K Q J 7
	♠ K J	
	♥ K 9 7 4 2	
	♦ K Q J 9 5	
	♣ 3	

NS 4♥; NS 3♠; NS 3♦; EW 1N; EW 2♣; Par +420

Board 12
West Deals
N-S Vul


♠ K J 7 2		♠ A 9 8
♥ 10 9 7 3		♥ A J 8 6 5 4 2
♦ A J 10 7		♦ 5 4
♣ 6		♣ Q
	♠ 6 4	
	♥ K Q	
	♦ K 6 3	
	♣ A 10 9 7 5 4	
	♠ Q 10 5 3	
	♥ —	
	♦ Q 9 8 2	
	♣ K J 8 3 2	

EW 2N; EW 2♦; E 2♣; E 1♠; W 1♣; Par -120

Board 13
North Deals
Both Vul


♠ A 9	♠ J 7 5 4 3	♠ Q 6
♥ Q 7 6 3 2	♥ 8 5 4	♥ A K 10 9
♦ J 7 4	♦ 9 5 2	♦ K 10 3
♣ Q 8 5	♣ A 7	♣ K J 10 2

♠ K 10 8 2
♥ J
♦ A Q 8 6
♣ 9 6 4 3



E 4♥; E 3N; NS 3♠; W 3♥; EW 3♣; NS 1♦; Par -200; NS 4♠×-1

Board 14
East Deals
None Vul

♠ 4		♠ A 10 9 7
♥ 10 6 5 4		♥ 8 3
♦ 9 6 2		♦ A K J
♣ A 8 6 5 2		♣ K Q 10 3
		
		♠ K J 6 5 2
		♥ 7
		♦ 10 8 7 5 4
		♣ 9 7
		♠ Q 8 3
		♥ A K Q J 9 2
		♦ Q 3
		♣ J 4

NS 6N; NS 6♥; NS 4♠; NS 4♣; N 3♦; S 2♦; Par +990

Board 15
South Deals
N-S Vul

	♠ K 10 2		
	♥ 2		
	♦ K 7 4 3 2		
	♣ A K 6 2		
♠ J 9		♠ A 8 7 6	
♥ Q 9 7 6 5 3		♥ A 10	
♦ A 8		♦ Q 9 6 5	
♣ Q J 5		♣ 10 8 7	
	♠ Q 5 4 3		
	♥ K J 8 4		
	♦ J 10		
	♣ 9 4 3		

NS 1N; NS 1♠; EW 1♥; NS 1♣; Par +90

Board 16
West Deals
E-W Vul

♠ 6 5 4	♠ K Q J 2	♠ A 10 8 3
♥ A 9 7 4	♥ 6 3	♥ J 8
♦ 9 4	♦ Q J 7 3	♦ K 10 8 6
♣ J 10 7 4	♣ 9 3 2	♣ K 8 5
	♠ 9 7	
	♥ K Q 10 5 2	
	♦ A 5 2	
	♣ A Q 6	

NS 2N; NS 2♠; NS 2♥; NS 2♦; NS 1♣; Par +120

Board 17
North Deals
None Vul

♠ 3		♠ K Q J 7 5
♥ 9 7 6		♥ K 10 3
♦ A J 8 3		♦ 10
♣ A J 10 6 3		♣ K 9 8 7
	♠ A	
	♥ A Q J 8 5	
	♦ Q 9 4 2	
	♣ 5 4 2	
	♠ 10 9 8 6 4 2	
	♥ 4 2	
	♦ K 7 6 5	
	♣ Q	

EW 6♥; EW 5N; EW 5♦; EW 5♣; NS 2♠; Par -800; NS 6♠×-4

Board 18
East Deals
N-S Vul

♠ 8 7 5 4 2		♠ A Q J 9 6	
♥ 10 2		♥ 6 3	
♦ 6		♦ 10 9 4	
♣ K 9 8 6 3		♣ A 10 5	
	W		E
	N		S
		♠ 10	
		♥ A K Q J 9 4	
		♦ Q 7 5 3	
		♣ J 2	

♠ K 3
♥ 8 7 5
♦ A K J 8 2
♣ Q 7 4

NS 4N; NS 3♥; NS 2♦; EW 1♣; Par +630

Board 19
South Deals
E-W Vul

	♠ A 7 6 4	
	♥ —	
	♦ Q 10 9 7 3	
	♣ 7 6 4 3	
♠ 5		♠ K J 8 3
♥ K 10 8 6 5 3	W N E	♥ A J 7 4
♦ A 8	S	♦ K 6 5
♣ K Q J 2		♣ 9 5
	♠ Q 10 9 2	
	♥ Q 9 2	
	♦ J 4 2	
	♣ A 10 8	

EW 5♥; E 4N; W 3N; EW 3♣; NS 1♠; NS 1♦; Par -650

Board 20
West Deals
Both Vul

♠ 10 9 3	♠ K Q 7	♠ A J 8 6 4 2
♥ A 8 3	♥ K 10 9 7	♥ Q J 4
♦ 9 3 2	♦ 10 4	♦ 6 5
♣ A K 9 4	♣ Q 8 7 2	♣ 10 5

♠ 5
♥ 6 5 2
♦ A K Q J 8 7
♣ J 6 3

EW 3♠; NS 1N; NS 2♦; NS 1♥; NS 1♣; Par -140

Board 21
North Deals
N-S Vul

♠ 9 8 4		♠ —
♥ A 9 4 3		♥ J 10 8 7 6
♦ Q 6 3		♦ K J
♣ 9 7 5		♣ J 10 6 4 3 2
	♠ A J 7	
	♥ K Q 5	
	♦ A 9 5 2	
	♣ A K 8	
	♠ K Q 10 6 5 3 2	
	♥ 2	
	♦ 10 8 7 4	
	♣ Q	

EW 4N; EW 2♥; EW 3♦; EW 2♣; EW 1♠; Par -430

Board 22
East Deals
E-W Vul

	♠ 7 6 5		
	♥ J 7 4 3		
	♦ —		
	♣ Q J 9 8 5 4		
♠ K Q J 10 9		♠ A 4	
♥ K 10 9 5	W N E	♥ A Q 8 2	
♦ K 7	S	♦ 9 8 4 3	
♣ 6 3		♣ A 7 2	
	♠ 8 3 2		
	♥ 6		
	♦ A Q J 10 6 5 2		
	♣ K 10		

EW 5N; W 5♠; EW 5♥; E 4♠; W 1♦; W 1♣; Par -660

Board 23
South Deals
Both Vul

	♠ K 8 7	
	♥ 9 3	
	♦ J 10 7 3	
	♣ A Q 9 2	
♠ A 6 5		♠ Q J 2
♥ A J 10 8 6		♥ K Q
♦ Q		♦ 9 8 5 4 2
♣ J 10 6 3		♣ 7 5 4
	♠ 10 9 4 3	
	♥ 7 5 4 2	
	♦ A K 6	
	♣ K 8	

NS 1N; NS 2♦; NS 1♠; EW 1♥; NS 1♣; Par +90

Board 24
West Deals
None Vul

♠ A 10 2	♠ 9 7 6 4	♠ K 8
♥ A 6 3	♥ Q 9 2	♥ J 7 4
♦ K J 9 6 4	♦ Q 10 8	♦ A 7 5 3
♣ 7 5	♣ 9 6 4	♣ K 10 8 2

W N E
S

♠ Q J 5 3
♥ K 10 8 5
♦ 2
♣ A Q J 3

E 1N; EW 2♦; NS 1♠; NS 1♥; E 1♣; Par -90

Board 25
North Deals
E-W Vul

♠ K J 5		♠ A 10 8
♥ K 10 8 6 2		♥ A
♦ 10		♦ A K Q 7 6 5 3
♣ 10 9 6 4		♣ J 5
	♠ 6 4	
	♥ J 7 5	
	♦ J 9 4 2	
	♣ K 8 7 2	
	♠ Q 9 7 3 2	
	♥ Q 9 4 3	
	♦ 8	
	♣ A Q 3	

NS 5♠; NS 4N; NS 5♦; NS 1♥; NS 1♣; Par +450

Board 26
East Deals
Both Vul

♠ J 6 5 2		♠ K 10 9
♥ K J 7 6 3 2		♥ 8 4
♦ —		♦ Q 9 8
♣ A Q J		♣ K 9 6 5 4
	W N E	♠ A Q 8 7 3
	S	♥ Q 10
		♦ A J 10 7 2
		♣ 10
		♠ 4
		♥ A 9 5
		♦ K 6 5 4 3
		♣ 8 7 3 2


EW 5♠; EW 5♥; W 4N; E 3N; EW 2♦; NS 1♣; Par -650

Board 27
South Deals
None Vul

♠ QJ2	♠ K9	♠ 1076543
♥ K6	♥ J104	♥ Q9853
♦ J83	♦ Q9542	♦ A6
♣ J10873	♣ K54	♣ —
	♠ A8	
	♥ A72	
	♦ K107	
	♣ A962	

NS 4N; EW 3♠; NS 3♦; NS 3♣; NS 1♥; Par +300: EW 5♠×-2

Board 28
 West Deals
 N-S Vul

	♠ Q 8 4 2	
	♥ 6 3 2	
	♦ K 4	
	♣ Q 9 7 5	
♠ 7 3		♠ A K 10 5
♥ 10 8 5 4		♥ K Q
♦ 9 8 7 5		♦ A Q 10 3
♣ A K 3		♣ J 8 2
	♠ J 9 6	
	♥ A J 9 7	
	♦ J 6 2	
	♣ 10 6 4	

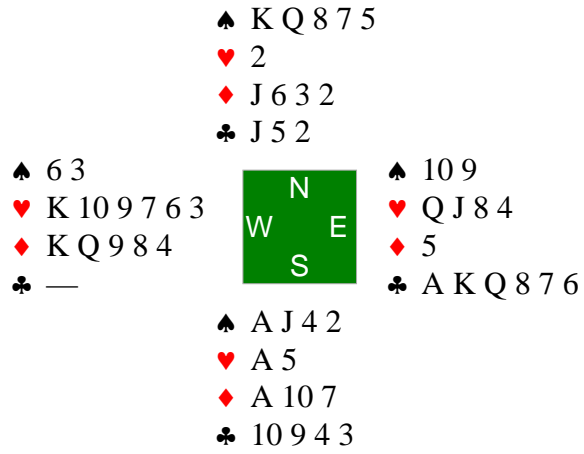
EW 5♦; EW 3♥; EW 2N; EW 2♠; EW 3♣; Par -400

Board 29
North Deals
Both Vul

	♠ Q J 7 5										
	♥ 9 7 3										
	♦ K J 3										
	♣ K Q 6										
♠ 10 9 8 6	<table border="1"><tr><td></td><td>N</td><td></td></tr><tr><td>W</td><td></td><td>E</td></tr><tr><td></td><td>S</td><td></td></tr></table>		N		W		E		S		♠ K 3 2
	N										
W		E									
	S										
♥ 5		♥ K Q 8 6 4									
♦ 10 6		♦ A 7 4 2									
♣ A 10 9 7 5 4		♣ J									
	♠ A 4										
	♥ A J 10 2										
	♦ Q 9 8 5										
	♣ 8 3 2										

NS 3N; NS 2♥; NS 1♦; Par +600

Board 30
East Deals
None Vul



S 3♠; EW 3♥; N 2♠; NS 1N; S 1♦; EW 1♣; Par +100; EW 4♥×-1

Board 31
South Deals
N-S Vul

♠ 9 8 6 4		♠ K 7 3
♥ 10 8 7 3 2		♥ A K J 5 4
♦ Q 8 4		♦ J 6 2
♣ 2		♣ 9 5
	♠ 10 2	
	♥ 9 6	
	♦ A K 7 5	
	♣ A J 8 6 3	
	♠ A Q J 5	
	♥ Q	
	♦ 10 9 3	
	♣ K Q 10 7 4	

NS 2N; NS 2♠; NS 2♥; NS 2♣; NS 1♦; Par +120

Board 32
West Deals
E-W Vul

♠ 9		♠ K J 4 3 2
♥ K Q 9 7 5		♥ A J 8
♦ J 6 5 4 3		♦ 10 2
♣ 5 3		♣ A 10 6
	♠ Q 7 5	
	♥ 10 6 3	
	♦ K Q 9 7	
	♣ K Q 8	
		♠ A 10 8 6
		♥ 4 2
		♦ A 8
		♣ J 9 7 4 2

NS 3♠; NS 2N; NS 3♣; EW 2♦; EW 1♥; Par +140

Board 33
North Deals
None Vul

♠ K 8 2		♠ 9 4 3
♥ Q 10 9 2		♥ K 5 4
♦ K Q 8 7 2		♦ J 10 6 3
♣ K		♣ A 5 3
	♠ A Q J 7 5	
	♥ 8 7	
	♦ A 5	
	♣ 10 8 6 2	
	♠ 10 6	
	♥ A J 6 3	
	♦ 9 4	
	♣ Q J 9 7 4	

EW 4♠; EW 2♦; NS 1♣; Par -420

Board 34
East Deals
N-S Vul

♠ 7 4 2	♠ A K 5 3	♠ Q J 6
♥ Q J 6 4	♥ A K 10	♥ 8 7 5 3 2
♦ A 2	♦ J 8 6 5	♦ K Q 10
♣ Q 6 5 4	♣ J 7	♣ K 8

♠ 10 9 8
♥ 9
♦ 9 7 4 3
♣ A 10 9 3 2



NS 2♠; NS 3♦; NS 1N; NS 2♣; EW 1♥; Par +110