

Board 1
North Deals
None Vul

White Thursday

	♠ 5 2										
	♥ 8 3 2										
	♦ Q 10 5										
	♣ J 8 7 6 2										
♠ Q 9 8 4	<table><tbody><tr><td></td><td>N</td><td></td></tr><tr><td>W</td><td></td><td>E</td></tr><tr><td></td><td>S</td><td></td></tr></tbody></table>		N		W		E		S		♠ K 10 3
	N										
W		E									
	S										
♥ K		♥ J 10 9 7 4									
♦ A 9 7		♦ J 8 3 2									
♣ K Q 10 4 3		♣ 9									
	♠ A J 7 6										
	♥ A Q 6 5										
	♦ K 6 4										
	♣ A 5										

S 1N; EW 1♠; EW 1♦; NS 1♣; Par +90: S 1N=

Board 2
East Deals
N-S Vul

White Thursday

♠ Q 4 3
♥ A K Q J 8 3 2
♦ 10
♣ 9 5

♠ A 10 8 5
♥ —
♦ K Q 9 8 7 6
♣ A 7 2



♠ 6 2
♥ 9 7 5 4
♦ 5 4 2
♣ Q 8 6 3

♠ K J 9 7
♥ 10 6
♦ A J 3
♣ K J 10 4

NS 5♥; NS 4N; NS 3♠; EW 2♦; S 1♣; Par +650: NS 5♥=

Board 3
 South Deals
 E-W Vul

White Thursday

♠ J 10 9
 ♥ Q 9 4
 ♦ A K 10 7
 ♣ A K J

♠ A 6 3
 ♥ K 7
 ♦ Q 5
 ♣ 10 9 8 7 4 2



♠ K Q 5
 ♥ J 8 6 5
 ♦ J 8 6
 ♣ 6 5 3

♠ 8 7 4 2
 ♥ A 10 3 2
 ♦ 9 4 3 2
 ♣ Q

NS 2N; NS 2♠; NS 2♥; NS 2♦; EW 1♣; Par +120; NS 1N+1

Board 4
West Deals
Both Vul


White Thursday

♠ A 10 3		♠ K 2
♥ A 6 4		♥ 8
♦ QJ973		♦ K 8 6 4 2
♣ 9 2		♣ A Q 10 5 4
	W N E	♠ Q 9 7
	S	♥ K 10 7 5 2
		♦ A 10
		♣ J 7 6
		♠ J 8 6 5 4
		♥ Q J 9 3
		♦ 5
		♣ K 8 3

NS 1♠; EW 1♥; EW 1♦; NS 1♣; Par +80: NS 1♠=

Board 5
North Deals
N-S Vul

White Thursday

	♠ 6	
	♥ Q 10 6 3	
	♦ K J 5 4 3	
	♣ A 10 3	
♠ A Q 10 9 7 5		♠ K 4 2
♥ J 8 7		♥ A 9 2
♦ 10 2		♦ A 9 7 6
♣ 8 4		♣ J 7 2
	♠ J 8 3	
	♥ K 5 4	
	♦ Q 8	
	♣ K Q 9 6 5	

NS 3♥; NS 4♣; EW 2N; EW 2♠; NS 3♦; Par +130: NS 4♣=

Board 6
East Deals
E-W Vul

White Thursday

♠ A K 9 5

♥ J 8

♦ A K Q 10

♣ Q 9 4

♠ J 10 7 6 4

♥ A Q 9 7 3

♦ 2

♣ 10 8



♠ Q

♥ 10 6 5 4 2

♦ 9 6 3

♣ A K 7 3

♠ 8 3 2

♥ K

♦ J 8 7 5 4

♣ J 6 5 2

EW 5♥; NS 2♦; NS 1♣; Par -650: EW 5♥=

Board 7
South Deals
Both Vul

White Thursday

♠ A K 6 3
♥ Q 8
♦ J 9 7 5 3
♣ 6 5

♠ —
♥ J 9 4 3 2
♦ A K 2
♣ J 10 8 7 3



♠ 7 4 2
♥ K 10 7 6
♦ Q 8 6
♣ A 9 4

♠ Q J 10 9 8 5
♥ A 5
♦ 10 4
♣ K Q 2

EW 4♥; NS 3♠; EW 4♣; NS 1N; NS 1♦; Par -200; NS 4♠×-1

Board 8
West Deals
None Vul

White Thursday

♠ K Q 8

♥ —

♦ A 10 8 5 4

♣ K J 8 5 3

♠ 10 6

♥ A K 9 8 5 4

♦ 7 6

♣ 9 6 4



♠ J 9 3

♥ Q 10 3 2

♦ Q J 9 3 2

♣ A

♠ A 7 5 4 2

♥ J 7 6

♦ K

♣ Q 10 7 2

NS 6♣; NS 5♠; EW 3♥; NS 2♦; Par +500; EW 6♥×-3

Board 9
North Deals
E-W Vul

White Thursday

♠ A 10 8 7 6		♠ K
♥ A K Q 10 7		♥ J 9
♦ A 6		♦ K J 7
♣ Q		♣ K 10 8 7 6 3 2
♠ 9 5 4 3 2	♠ N	
♥ 2	W	E
♦ 10 8 4 2	♠ S	
♣ A 9 5		
♠ Q J		
♥ 8 6 5 4 3		
♦ Q 9 5 3		
♣ J 4		

NS 5♥; NS 3♠; EW 3♣; NS 1♦; Par +450: NS 4♥+1

Board 10
East Deals
Both Vul

White Thursday

♠ 10 9 8
♥ A K 10 5 4 3
♦ 5
♣ K 8 5

♠ A 4 2
♥ Q 2
♦ K Q 10 8 6
♣ Q J 3




♠ K 5
♥ 7 6
♦ J 9 7 3
♣ A 9 7 6 2

♠ Q J 7 6 3
♥ J 9 8
♦ A 4 2
♣ 10 4

EW 4♦; NS 2♠; NS 2♥; EW 3♣; Par -130: EW 3♦+1

Board 11
South Deals
None Vul

White Thursday

♠ 8 7 6 3		♠ A J 4
♥ K Q 7		♥ A J 8 2
♦ K 10 4 3		♦ 8 7
♣ J 4		♣ K 10 3 2
		
		♠ K 10 9 5 2
		♥ 10 4
		♦ Q J 6 2
		♣ 8 7
		♠ Q
		♥ 9 6 5 3
		♦ A 9 5
		♣ A Q 9 6 5

NS 5♥; NS 3N; NS 5♣; EW 1♠; NS 1♦; Par +450: NS 4♥+1

Board 12
 West Deals
 N-S Vul

White Thursday

♠ A 8 7 5	♠ Q 2	♠ J 9 6 4 3			
♥ 9 7 5 4	♥ K J 6 3	♥ A 8 2			
♦ 9 7 6	♦ 10 2	♦ A 3			
♣ 6 2	♣ A Q 9 7 5	♣ J 10 3			
<table style="border: 1px solid black; background-color: #008000; color: white; width: 80px; height: 60px; margin: auto;"> <tr><td style="text-align: center;">N</td></tr> <tr><td style="text-align: center;">W E</td></tr> <tr><td style="text-align: center;">S</td></tr> </table>			N	W E	S
N					
W E					
S					
♠ K 10					
♥ Q 10					
♦ K Q J 8 5 4					
♣ K 8 4					

NS 4♦; NS 4♣; NS 2♥; NS 1N; EW 1♠;
 Par +130: NS 3♣+1; NS 3♦+1

Board 13
 North Deals
 Both Vul

White Thursday

♠ 8 4
 ♥ 9 8 7 5 4 3
 ♦ A 5 4
 ♣ A 6

♠ Q 5
 ♥ A
 ♦ K 10 9 7
 ♣ Q 10 9 5 4 2



♠ A J 10 9 6 3
 ♥ J
 ♦ Q J 6 3 2
 ♣ 3

♠ K 7 2
 ♥ K Q 10 6 2
 ♦ 8
 ♣ K J 8 7

NS 5♥; EW 3♠; EW 4♦; NS 1N; EW 1♣;
 Par +500: EW 5♠×-2; EW 6♦×-2

Board 14
East Deals
None Vul

White Thursday

♠ K Q J 6 5 2

♥ —

♦ 9 4

♣ 9 7 6 5 2

♠ A

♥ 9 7 6 4

♦ 10 7 6 5 3

♣ J 8 4



♠ 10 9 7 4

♥ K J 5 3 2

♦ 8 2

♣ A Q

♠ 8 3

♥ A Q 10 8

♦ A K Q J

♣ K 10 3

NS 4N; NS 4♠; NS 4♣; NS 2♦; EW 1♥; Par +430: NS 3N+1

Board 15
South Deals
N-S Vul

White Thursday

♠ A 9 8 5 3

♥ A 8 5 2

♦ K 5

♣ 7 6

♠ Q 7

♥ Q 10

♦ A Q J 4 3

♣ K 10 8 4



♠ 6 4 2

♥ 9 7 6 4 3

♦ 10 6 2

♣ A J

♠ K J 10

♥ K J

♦ 9 8 7

♣ Q 9 5 3 2

NS 3♠; NS 2N; EW 2♦; NS 1♥; NS 1♣; Par +140: NS 3♠=

Board 16
West Deals
E-W Vul

White Thursday

<p>♠ 6 4 2 ♥ Q J ♦ K Q 6 4 ♣ A K 10 2</p>	<p style="font-size: 2em;">N</p> <p style="font-size: 2em;">W E</p> <p style="font-size: 2em;">S</p>	<p>♠ Q 8 ♥ 9 8 5 2 ♦ A 8 ♣ Q J 8 6 3</p> <p>♠ 10 9 7 ♥ A 10 7 ♦ J 10 9 5 2 ♣ 5 4</p> <p>♠ A K J 5 3 ♥ K 6 4 3 ♦ 7 3 ♣ 9 7</p>
---	---	---

NS 3♥; NS 2♠; EW 2♦; NS 2♣; Par +140; NS 2♥+1

Board 17
North Deals
None Vul

White Thursday

	♠ 6		
	♥ 8		
	♦ A Q J 9 6 4		
	♣ A 7 6 5 3		
♠ A K J 9 8			♠ 10 7
♥ A J 2			♥ K Q 10 7
♦ 8			♦ K 7 5 3 2
♣ K Q 4 2			♣ 10 8
	♠ Q 5 4 3 2		
	♥ 9 6 5 4 3		
	♦ 10		
	♣ J 9		

EW 4♠; EW 4♥; EW 3N; EW 1♦; EW 1♣;
Par -420: EW 4♥=; EW 4♠=

Board 18
East Deals
N-S Vul

White Thursday

♠ A K Q 7 6

♥ 4

♦ A J 6 4

♣ K J 5

♠ 5 4

♥ 10 9 8 5 2

♦ Q 10 9 8 3

♣ 8



♠ J 10 3

♥ A K Q J 3

♦ 5 2

♣ Q 3 2

♠ 9 8 2

♥ 7 6

♦ K 7

♣ A 10 9 7 6 4

NS 6♠; NS 6♣; NS 2N; EW 2♥; NS 3♦; Par +1100; EW 7♥×-5

Board 19
South Deals
E-W Vul

White Thursday

	♠ Q		
	♥ A 9 8 2		
	♦ 8 7 3 2		
	♣ A 7 6 3		
♠ A 6 3			♠ K 8 7
♥ J 6 5			♥ 10 7 4
♦ A 9 4			♦ K Q 10
♣ K 10 9 8			♣ Q 5 4 2
	♠ J 10 9 5 4 2		
	♥ K Q 3		
	♦ J 6 5		
	♣ J		

EW 2N; NS 2♠; NS 1♥; EW 1♣; Par -100; NS 3♠×-1

Board 20
West Deals
Both Vul

White Thursday

♠ J 8 5 4 3

♥ A 8 7

♦ K 9

♣ K 9 2

♠ A 2

♥ K J 10 6 5 2

♦ J 8 7

♣ 7 5



♠ K 9 7 6

♥ Q 3

♦ A 5

♣ Q J 10 8 4

♠ Q 10

♥ 9 4

♦ Q 10 6 4 3 2

♣ A 6 3

W 3♥; W 2N; E 2♥; NS 2♦; EW 2♣; W 1♠; Par -140: W 2♥+1

Board 21
North Deals
N-S Vul

White Thursday

♠ K J 8 7 5 2

♥ 9 7 6

♦ A J

♣ 9 4

♠ 3

♥ J 4

♦ 10 8 7 6 5 4

♣ Q J 7 5



♠ 10 9 6 4

♥ A Q 10 8 2

♦ 9 2

♣ 8 3

♠ A Q

♥ K 5 3


♦ K Q 3

♣ A K 10 6 2

NS 6N; NS 6♠; NS 2♥; NS 3♣; NS 2♦; Par +1440; NS 6N=

Board 22
 East Deals
 E-W Vul

White Thursday

<p>♠ 5 4 ♥ K 8 5 4 ♦ J 9 7 6 ♣ 9 4 2</p>		<p>♠ A 10 8 6 ♥ A ♦ A 10 4 3 ♣ A Q J 7</p>	<p>♠ K J 7 2 ♥ Q 7 6 2 ♦ 8 5 ♣ K 10 8</p>
<p>♠ Q 9 3 ♥ J 10 9 3 ♦ K Q 2 ♣ 6 5 3</p>			

NS 4♠; NS 3N; NS 4♦; NS 4♣; N 2♥; S 1♥; Par +420: NS 4♠=

Board 23
South Deals
Both Vul

White Thursday

♠ A Q J 5		♠ 10 9
♥ J 9 8 7 6		♥ K Q
♦ 9 4		♦ A K 7 6
♣ J 3		♣ A Q 10 9 7
		♠ K 8 7 6 2
		♥ A 2
		♦ Q J 10 2
		♣ 8 4

♠ 4 3
♥ 10 5 4 3
♦ 8 5 3
♣ K 6 5 2



EW 5♥; EW 4N; EW 5♣; EW 3♠; EW 4♦; Par -650; EW 4♥+1

Board 24
 West Deals
 None Vul

White Thursday

♠ K J 5 3 2	♠ Q	♠ A 8
♥ 8	♥ K Q J 3 2	♥ 9 7 5 4
♦ 7 4	♦ A Q J 6 2	♦ K 9 8 5 3
♣ A Q 9 4 2	♣ 8 6	♣ 7 3
	<div style="display: inline-block; background-color: green; color: white; padding: 5px; border: 1px solid black;"> N W E S </div>	
	♠ 10 9 7 6 4	
	♥ A 10 6	
	♦ 10	
	♣ K J 10 5	

NS 2♥; NS 1N; EW 1♠; NS 1♦; EW 1♣; Par +100; EW 2♠×-1

Board 25
North Deals
E-W Vul

White Thursday

♠ K 8 7
♥ Q 9 6
♦ A K Q 7
♣ 10 7 2

♠ A J 5 4
♥ K 5 4 2
♦ 8 3 2
♣ 5 4



♠ 10 6 2
♥ J 10 7
♦ 9 6 5
♣ A K 9 8

♠ Q 9 3
♥ A 8 3
♦ J 10 4
♣ Q J 6 3

NS 2N; NS 2♦; NS 2♣; NS 1♠; NS 1♥; Par +120; NS 1N+1

Board 26
East Deals
Both Vul

White Thursday

♠ K J 9 5

♥ 5

♦ 9 7 2

♣ Q J 10 6 4

♠ 8 3

♥ Q J 10 3

♦ A J 6 5

♣ A 7 2



♠ 10 6

♥ 8 7 6 2

♦ 10 8 4

♣ K 8 5 3

♠ A Q 7 4 2

♥ A K 9 4


♦ K Q 3

♣ 9

NS 5♠; NS 2N; S 2♦; NS 2♣; N 1♦; Par +650: NS 4♠+1

Board 27
South Deals
None Vul

White Thursday

♠ J 10 6		♠ K 9 8 3
♥ 9 6		♥ A Q J 4
♦ Q 9 5		♦ A 3
♣ J 9 8 4 3		♣ A Q 5
		
		♠ Q 5 4 2
		♥ 8 3
		♦ K 10 2
		♣ K 10 6 2
		♠ A 7
		♥ K 10 7 5 2
		♦ J 8 7 6 4
		♣ 7

NS 6♥; N 4N; S 3N; NS 5♦; NS 3♠; N 1♣; Par +980: NS 6♥=

Board 28
West Deals
N-S Vul

White Thursday

♠ A 7 5				
♥ A 8 3				
♦ 9 8 5 3				
♣ J 7 2				
♠ Q J 10 8 6				♠ K 9
♥ J 7 5 2				♥ 9 6
♦ Q				♦ 10 7 4 2
♣ K 8 6				♣ A 10 5 4 3
				♠ 4 3 2
				♥ K Q 10 4
				♦ A K J 6
				♣ Q 9

NS 3N; NS 2♥; NS 3♦; EW 2♣; NS 1♠; Par +300: EW 4♣×-2

Board 29
North Deals
Both Vul

White Thursday

♠ Q 9 6 5 4 3

♥ 9 7 5 4

♦ Q 7

♣ 10

♠ A 2

♥ A K 8 6

♦ 10 8 5 4

♣ 8 6 2



♠ K J 10 7

♥ Q J 10

♦ J 9 6 3

♣ 7 4

♠ 8

♥ 3 2

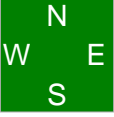
♦ A K 2

♣ A K Q J 9 5 3

NS 4♣; EW 1♥; EW 1♦; Par +130; NS 2♣+2

Board 30
 East Deals
 None Vul

White Thursday

♠ 10 6 3 ♥ J 6 2 ♦ A J 6 ♣ J 10 5 2		♠ K ♥ A 9 7 5 4 3 ♦ 9 3 2 ♣ K 4 3	♠ A 8 5 2 ♥ Q 8 ♦ K 10 7 5 4 ♣ Q 9
		♠ Q J 9 7 4 ♥ K 10 ♦ Q 8 ♣ A 8 7 6	

NS 3♥; NS 2♠; NS 1N; NS 2♣; EW 1♦; Par +140: NS 2♥+1

Board 31
South Deals
N-S Vul

White Thursday

♠ A K 9 2

♥ 4 3

♦ K J 10 7

♣ 8 5 2

♠ J 7 5 4

♥ 10 9 6 5 2

♦ 9 3 2

♣ 9



♠ 8

♥ A K Q J 8

♦ Q 5

♣ A K Q 7 6

♠ Q 10 6 3

♥ 7

♦ A 8 6 4

♣ J 10 4 3

EW 4♥; NS 3♠; NS 3♦; EW 3♣; Par -200: NS 4♠×-1

Board 32
West Deals
E-W Vul

White Thursday

♠ 8 6				
♥ A 9 8 6				
♦ 10 8 7				
♣ A 10 4 3				
♠ J 9				♠ K 7 5 3
♥ K J 10 7 4 3				♥ 5 2
♦ Q J 9				♦ K 3 2
♣ 8 2				♣ K Q 7 5
				♠ A Q 10 4 2
				♥ Q
				♦ A 6 5 4
				♣ J 9 6

NS 2♠; N 3♣; NS 1N; NS 2♦; S 2♣; Par +110; N 1♣+2; NS 1♠+1

Board 33
 North Deals
 None Vul

White Thursday

♠ Q 8 4 3 2	♠ K J 6 5	♠ A 10 7
♥ K J	♥ A 8 5	♥ Q 7 2
♦ A Q 6	♦ K 7 5 4	♦ J 8 2
♣ A 10 6	♣ Q 7	♣ J 5 4 2


♠ 9	♠ 9
♥ 10 9 6 4 3	♥ 10 9 6 4 3
♦ 10 9 3	♦ 10 9 3
♣ K 9 8 3	♣ K 9 8 3



W 3N; EW 3♠; E 2N; W 2♣; NS 1♥; EW 1♦; E 1♣;
 Par -400: W 3N=

Board 34
East Deals
N-S Vul

White Thursday

♠ A Q 9 4		♠ J 7
♥ 8 7 4		♥ 9
♦ Q 5 4 3		♦ A K J 10 6
♣ 9 2		♣ A K Q J 10
		
		♠ K 6 5
		♥ A Q J 10 5 3
		♦ 7 2
		♣ 6 3
		♠ 10 8 3 2
		♥ K 6 2
		♦ 9 8
		♣ 8 7 5 4

NS 4♣; EW 2♥; NS 1N; NS 2♦; Par +130; NS 4♣=

Board 35
South Deals
E-W Vul

White Thursday

♠ Q 10 9 8 5

♥ K

♦ K Q 10 5

♣ 9 8 3

♠ 4

♥ J 10 3

♦ A 9 8 7 4

♣ K Q J 10



♠ K J 6 3

♥ 8 7 6 5

♦ 6 3 2

♣ 7 2

♠ A 7 2

♥ A Q 9 4 2

♦ J

♣ A 6 5 4

NS 5♠; NS 3N; NS 3♥; NS 3♣; NS 2♦; Par +450: NS 4♠+1

Board 36
West Deals
Both Vul

White Thursday

♠ A K 8		♠ Q J 7 6 4
♥ J 6 3 2		♥ K 8 7
♦ 8 6		♦ A 10 9
♣ A J 5 4		♣ 9 2
		♠ 9 5 3
		♥ 9 5 4
		♦ K Q J 4 2
		♣ 10 7

♠ 10 2
♥ A Q 10
♦ 7 5 3
♣ K Q 8 6 3

♠ 10 2
♥ A Q 10
♦ 7 5 3
♣ K Q 8 6 3

♠ 9 5 3
♥ 9 5 4
♦ K Q J 4 2
♣ 10 7

EW 3♠; EW 2N; EW 2♥; N 2♦; S 1♦; W 1♣; Par -140; EW 2♠+1