

Board 2
East Deals
N-S Vul

Green Monday Stac

♠ 2		♠ A J 8 4 3
♥ K Q 9 8 6		♥ J 5
♦ Q 10 7 6		♦ 9 2
♣ 8 7 6		♣ K Q J 5
	♠ N	♠ Q 10 6
	♥ W	♥ 10 4 3
	♦ E	♦ A K 4 3
	♣ S	♣ A 3 2
		♠ K 9 7 5
		♥ A 7 2
		♦ J 8 5
		♣ 10 9 4

EW 3♥; NS 2♠; EW 3♦; EW 1N; NS 1♣; Par -140: EW 3♥=

Board 4
West Deals
Both Vul


Green Monday Stac

♠ 10 9 5		♠ 6 4 3
♥ A 6 5 3		♥ 10 9
♦ Q 8 5		♦ A K 9 2
♣ 10 5 2		♣ A J 9 8
	♠ N	♠ K Q 8 7 2
	W	♥ Q J 8 4
	S	♦ J 3
	E	♣ 4 3
		♠ A J
		♥ K 7 2
		♦ 10 7 6 4
		♣ K Q 7 6

EW 2♠; EW 2♥; NS 3♦; NS 3♣; NS 1N;
Par +110: NS 3♣=; NS 3♦=

Board 7
South Deals
Both Vul

Green Monday Stac

♠ 7 4		♠ Q 2
♥ A Q J 10		♥ 9 8 7 3 2
♦ K Q 9 6 3		♦ 10 4
♣ Q 6		♣ A K 4 3
		
		♠ K J 8 6
		♥ K 5 4
		♦ A J 2
		♣ 10 7 2
		♠ A 10 9 5 3
		♥ 6
		♦ 8 7 5
		♣ J 9 8 5

EW 4♦; EW 2N; EW 2♥; NS 2♣; NS 1♠; Par -130: EW 2♦+2

Board 9
North Deals
E-W Vul

Green Monday Stac

♠ Q 10 9 6 4

♥ 9 8 7 2

♦ 8 2

♣ 7 6

♠ J 7 2

♥ 6 5 3

♦ Q 10 3

♣ Q 8 3 2



♠ A 5

♥ A Q 10

♦ J 9 6 4

♣ J 10 9 4

♠ K 8 3

♥ K J 4

♦ A K 7 5

♣ A K 5

NS 5♠; NS 4♥; NS 3N; NS 2♦; NS 1♣; Par +450: NS 4♠+1

Board 11
 South Deals
 None Vul

Green Monday Stac

♠ Q 8 7	♠ J	♠ K 10 9 6 5 4 2
♥ K 9 8 7 5 4 2	♥ 10 3	♥ A Q
♦ J 5	♦ A K Q 10 9 6	♦ 8 3
♣ 5	♣ A J 10 7	♣ K Q
	<div style="display: inline-block; background-color: #008000; color: white; padding: 5px; text-align: center; border: 1px solid black;"> N W E S </div>	
	♠ A 3	
	♥ J 6	
	♦ 7 4 2	
	♣ 9 8 6 4 3 2	

EW 3♠; NS 4♦; NS 4♣; EW 2♥; Par +100: EW 4♠×-1

Board 16
West Deals
E-W Vul

Green Monday Stac

♠ A 10 4 2		♠ 9 8 7
♥ A J 6		♥ Q 7 2
♦ Q		♦ 8 6 3
♣ K 10 9 8 4		♣ J 6 5 3
	♠ K Q 6	
	♥ K 5 3	
	♦ A J 9 7 4 2	
	♣ 7	
		♠ J 5 3
		♥ 10 9 8 4
		♦ K 10 5
		♣ A Q 2

NS 4N; S 3♥; NS 4♦; S 2♠; N 2♥; N 1♠; EW 1♣;
Par +430: NS 3N+1

Board 18
East Deals
N-S Vul

Green Monday Stac

♠ J 8 7 6 5 4		♠ A K Q		
♥ A J 8		♥ Q 10 9		
♦ 10		♦ K Q 3		
♣ K Q 4		♣ 9 7 6 3		
	W	N	E	
		S		
		♠ 10 9 2		♠ 3
		♥ K 3		♥ 7 6 5 4 2
		♦ J 9 2		♦ A 8 7 6 5 4
		♣ A J 10 8 5		♣ 2

NS 2N; EW 2♥; NS 3♣; EW 1♦; Par +100: EW 3♥×-1

Board 19
South Deals
E-W Vul

Green Monday Stac

♠ J 5		♠ K 9 7 6 4
♥ A 10 7 6 4 3		♥ J
♦ 10 7 4 3 2		♦ 9 8
♣ —		♣ Q J 9 4 2
	W N E	♠ Q 3 2
	S	♥ K 8 5
		♦ A K Q
		♣ A K 5 3
		♠ A 10 8
		♥ Q 9 2
		♦ J 6 5
		♣ 10 8 7 6

EW 5N; EW 5♥; EW 5♦; NS 1♣; Par -660: EW 4N+1

Board 20
West Deals
Both Vul


Green Monday Stac

♠ 8 5 4		♠ J 9
♥ A 5 2		♥ K Q 6 4
♦ K 7 6 4		♦ 10 9
♣ K 9 4		♣ Q 10 6 5 3
		♠ A 6 3 2
		♥ 10 8 7
		♦ A Q J 8 3
		♣ A
		♠ K Q 10 7
		♥ J 9 3
		♦ 5 2
		♣ J 8 7 2

NS 4♠; NS 2N; NS 3♦; NS 1♥; EW 1♣; Par +620: NS 4♠=

Board 22
East Deals
E-W Vul

Green Monday Stac

	♠ 7	
	♥ K 3	
	♦ 8 7 5 4	
	♣ K 9 8 5 3 2	
♠ A Q 10 9 3 2		♠ K 6 4
♥ 8		♥ J 10 6 4
♦ J 10 6 3 2		♦ A Q
♣ J		♣ A Q 7 4
	♠ J 8 5	
	♥ A Q 9 7 5 2	
	♦ K 9	
	♣ 10 6	

EW 5♠; EW 3N; EW 3♦; NS 2♣; N 1♥; Par -650: EW 5♠=

Board 23
South Deals
Both Vul

Green Monday Stac

♠ A J 8 3 2		♠ K 10
♥ A Q		♥ 10 8 6 5 4
♦ Q 7 4		♦ A 5 3
♣ J 9 6		♣ Q 7 4
	W	N
		E
	S	
		♠ Q 9
		♥ 9 3
		♦ K 10 9 8 6 2
		♣ 10 8 5
		♠ 7 6 5 4
		♥ K J 7 2
		♦ J
		♣ A K 3 2

NS 4♥; EW 1N; EW 2♦; NS 2♣; NS 1♠; Par +620: NS 4♥=

Board 24
West Deals
None Vul

Green Monday Stac

♠ A 8 7 6 3		
♥ J 5 3		
♦ K 6 5 4 2		
♣ —		
♠ Q 9 5		♠ K J
♥ Q		♥ A K 9 7 6 2
♦ J 10 9 8		♦ A
♣ Q 9 8 6 5		♣ A K J 10
♠ 10 4 2		
♥ 10 8 4		
♦ Q 7 3		
♣ 7 4 3 2		

EW 6N; W 6♥; EW 6♣; E 5♥; EW 1♠; EW 1♦; Par -990: EW 6N=

Board 25
North Deals
E-W Vul

Green Monday Stac

	♠ 10 3	
	♥ A Q J 5	
	♦ A 9 8 4	
	♣ K 8 5	
♠ 9 5		♠ K Q 7 6
♥ K 10 9 8 7 6		♥ 3 2
♦ 5		♦ J 7 6 2
♣ A 10 6 3		♣ Q J 2
	♠ A J 8 4 2	
	♥ 4	
	♦ K Q 10 3	
	♣ 9 7 4	

Diagram: A green square with 'N' at the top, 'S' at the bottom, 'W' on the left, and 'E' on the right.

NS 5♠; NS 3N; NS 4♦; NS 3♣; NS 1♥; Par +450; NS 4♠+1

Board 26
East Deals
Both Vul

Green Monday Stac

	♠ 2										
	♥ A K 9 6										
	♦ A 4										
	♣ Q 10 9 6 5 3										
♠ K Q J 10 4 3	<table border="1"><tr><td></td><td>N</td><td></td></tr><tr><td>W</td><td></td><td>E</td></tr><tr><td></td><td>S</td><td></td></tr></table>		N		W		E		S		♠ A 8 7 6 5
	N										
W		E									
	S										
♥ 5 4		♥ J 8 3									
♦ Q 7 6		♦ J 8 5									
♣ K 4		♣ J 2									
	♠ 9										
	♥ Q 10 7 2										
	♦ K 10 9 3 2										
	♣ A 8 7										

NS 5♥; NS 5♣; NS 4♦; NS 1N; EW 1♠; Par +650: NS 4♥+1

Board 28
West Deals
N-S Vul

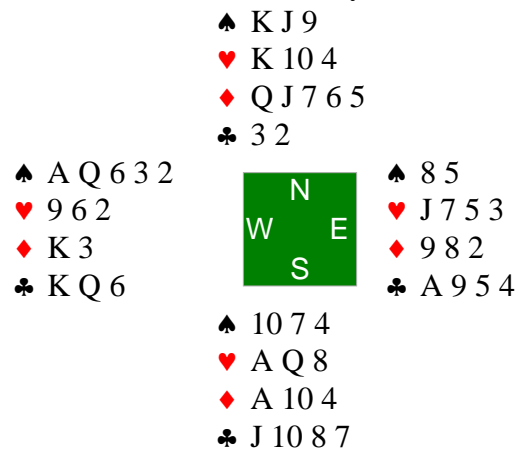
Green Monday Stac

	♠ 10 8	
	♥ K Q J 10 7 4	
	♦ J 8	
	♣ A 10 3	
♠ K 9 4		♠ Q J 6 5
♥ 9		♥ 8 5
♦ 7 6 2		♦ A K Q 9 3
♣ Q J 9 8 4 2		♣ 6 5
	♠ A 7 3 2	
	♥ A 6 3 2	
	♦ 10 5 4	
	♣ K 7	

NS 4♥; NS 2N; EW 2♦; EW 2♣; EW 1♠;
Par +500: EW 4♠×-3; EW 5♣×-3; EW 5♦×-3

Board 30
East Deals
None Vul

Green Monday Stac



NS 2N; NS 2♦; EW 1♠; NS 1♥; EW 1♣; Par +120; NS 2N=

Board 31
South Deals
N-S Vul


Green Monday Stac

♠ 6 5 2		♠ A 9 8 7
♥ J		♥ K Q 8 4 3 2
♦ A 10 6 2		♦ —
♣ K Q 6 4 3		♣ 7 5 2
	W	
	N	
	E	
	S	
		♠ K J 4
		♥ A 10 9 6 5
		♦ Q 7 4
		♣ 10 8
		♠ Q 10 3
		♥ 7
		♦ K J 9 8 5 3
		♣ A J 9

EW 1N; NS 1♥; EW 1♦; EW 1♣; Par -90; EW 1N=

Board 32
West Deals
E-W Vul

Green Monday Stac

	♠ K 6 4	
	♥ Q J 10 7 3	
	♦ K 5	
	♣ J 7 5	
♠ A 5 3		♠ J 10 9 2
♥ A 2		♥ 6
♦ A Q 9 3		♦ J 10 8 4
♣ A 10 9 8		♣ Q 6 4 2
	♠ Q 8 7	
	♥ K 9 8 5 4	
	♦ 7 6 2	
	♣ K 3	

EW 4♦; EW 4♣; EW 2♠; S 2♥; EW 1N; N 1♥;
Par -130: EW 4♣=; EW 4♦=

Board 34
East Deals
N-S Vul

Green Monday Stac

♠ J 9		♠ A K Q 2
♥ K J 7		♥ A 6 5 2
♦ A 10 7 6 4		♦ —
♣ 5 4 2		♣ K 10 9 7 3
	♠ 8 5 4 3	
	♥ 10 4 3	
	♦ 9 8 5 2	
	♣ J 6	
	♠ 10 7 6	
	♥ Q 9 8	
	♦ K Q J 3	
	♣ A Q 8	

S 6N; NS 6♠; NS 6♣; N 5N; NS 5♥; NS 3♦; Par +1440: S 6N=

Board 35
 South Deals
 E-W Vul

Green Monday Stac

♠ Q 7 6 5 4	♠ K	♠ 3
♥ 9 8 5	♥ K 10 4	♥ A Q 7 6 2
♦ J 9 6 4 2	♦ K 5	♦ A Q 10 8 7 3
♣ —	♣ Q J 10 8 7 4 2	♣ 6
	<div style="display: inline-block; background-color: #008000; color: white; padding: 5px; border: 1px solid black;"> N W E S </div>	
	♠ A J 10 9 8 2	
	♥ J 3	
	♦ —	
	♣ A K 9 5 3	

N 6♣; N 4N; E 4♥; EW 5♦; S 5♣; N 3♠; W 3♥; S 2♠;
 Par +200: EW 6♦ ×-1

Board 36
West Deals
Both Vul

Green Monday Stac

♠ 7 2		♠ J 5 4
♥ K Q 7 2		♥ 10 9 6
♦ A J 5 4		♦ Q 9 7 3
♣ 9 6 5		♣ Q 10 3
		♠ A 9 3
		♥ A 5 4
		♦ K 10 6
		♣ K 7 4 2

♠ K Q 10 8 6
♥ J 8 3
♦ 8 2
♣ A J 8

W N E
S

NS 3N; NS 3♠; NS 3♣; NS 1♥; S 1♦; Par +600: NS 3N=